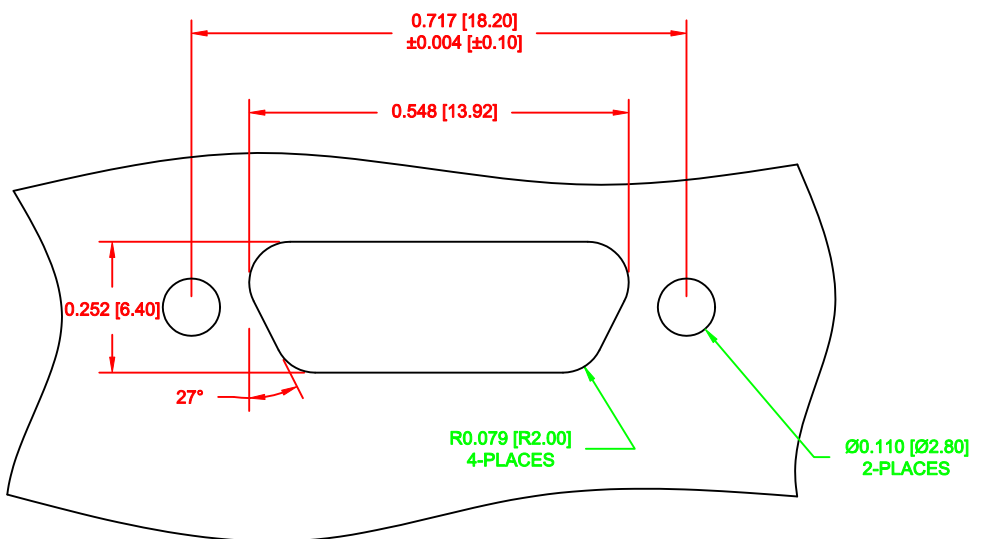
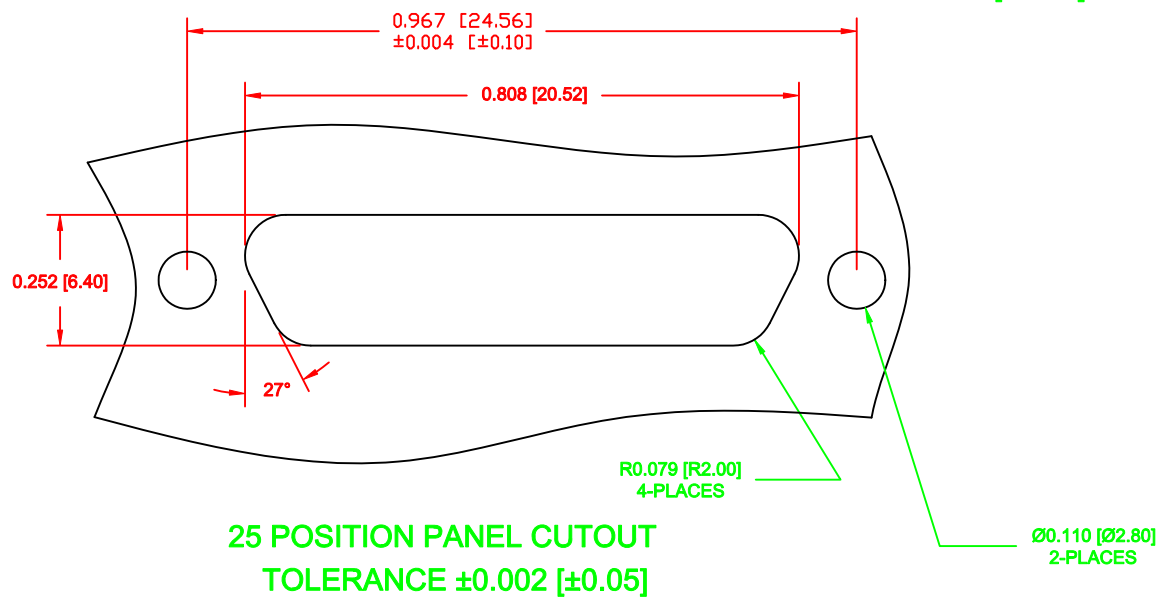


9 POSITION PANEL CUTOUT
TOLERANCE ±0.002 [±0.05]



15 POSITION PANEL CUTOUT
TOLERANCE ±0.002 [±0.05]



25 POSITION PANEL CUTOUT
TOLERANCE ±0.002 [±0.05]

DO NOT SCALE FROM DRAWING



THESE DRAWINGS AND SPECIFICATIONS ARE THE PROPERTY OF NorComp AND SHALL NOT BE REPRODUCED, COPIED OR USED AS THE BASIS FOR THE MANUFACTURE OF SALE OF APPARATUS WITHOUT WRITTEN PERMISSION.

DRAWN: M. SIGMON		DATE: 09-08-11	
CHECKED:		DATE:	
SCALE: N.T.S.	SHEET 1	OF 1	REV 0
DWG NO. MICRO-D PANEL CUTOUTS			

RoHS COMPLIANT

NorComp