

821B YYY - 1 0 3 R 00 1

SERIES 12.00 [0.475]  
 # OF POSITIONS (Ex. 002)  
 \*\*SEE CHART A\*\*  
 1 = MALE  
 SOLDER CUP (PANEL MOUNT)  
 1 = GOLD FLASH  
 RoHS COMPLIANT  
 NICKEL/CHROME PLATED SHELL

CHARACTERISSTICS

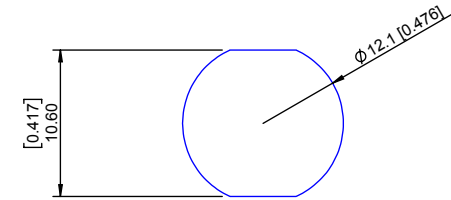
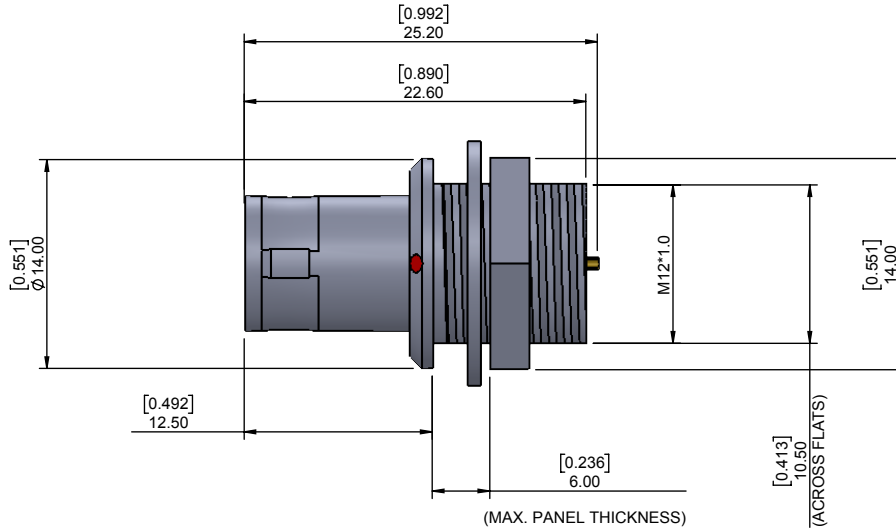
MATERIALS

SHELL : BRASS  
 SHELL PLATING : NICKEL  
 NUT : BRASS  
 NUT PLATING : NICKEL  
 LATCH SLEEVE : BRASS  
 LATCH SLEEVE PLATING : NICKEL  
 CONTACTS : COPPER ALLOY  
 CONTACT PLATING : 7µ" GOLD PLATED OVER 196µ" NICKEL MIN.  
 INSULATOR : PPS (HIGH TEMPERATURE)

MECHANICAL

DURABILITY: 5000 CYCLES  
 OPERATING TEMP. RANGE: -40° C ~ +200° C  
 PROCESS TEMPERATURE : 260°C FOR 5 SECONDS  
 MAX. TORQUE VALUE : 4.5 Nm [39 IN/lbs]  
 SHIELDING: 75dB @ 10MHz  
 40dB @ 1GHz

IP RATING: 50



**PANEL CUTOUT**  
 TOLERANCE = +0.10, -0.0  
 [+0.004, -0.00]

CHART A

● = KEY LOCATION

\*\*VIEW FROM TERMINATION END\*\*

|                                                                             |                                                                             |                                                                             |                                                                             |                                                                               |                                                                              |                                                                              |                                                                             |                                                                             |
|-----------------------------------------------------------------------------|-----------------------------------------------------------------------------|-----------------------------------------------------------------------------|-----------------------------------------------------------------------------|-------------------------------------------------------------------------------|------------------------------------------------------------------------------|------------------------------------------------------------------------------|-----------------------------------------------------------------------------|-----------------------------------------------------------------------------|
|                                                                             |                                                                             |                                                                             |                                                                             |                                                                               |                                                                              |                                                                              |                                                                             |                                                                             |
| 2 POSITION<br>20 AWG MAX.<br>15 AMP MAX.<br>PIN Ø = 1.30 [0.051]            | 3 POSITION<br>20 AWG MAX.<br>12 AMP MAX.<br>PIN Ø = 1.30 [0.051]            | 4 POSITION<br>22 AWG MAX.<br>10 AMP MAX.<br>PIN Ø = 0.90 [0.035]            | 5 POSITION<br>22 AWG MAX.<br>9 AMP MAX.<br>PIN Ø = 0.90 [0.035]             | 6 POSITION<br>24 AWG MAX.<br>7 AMP MAX.<br>PIN Ø = 0.70 [0.028]               | 7 POSITION<br>24 AWG MAX.<br>7 AMP MAX.<br>PIN Ø = 0.70 [0.028]              | 8 POSITION<br>24 AWG MAX.<br>5 AMP MAX.<br>PIN Ø = 0.70 [0.028]              | 10 POSITION<br>28 AWG MAX.<br>2.5 AMP MAX.<br>PIN Ø = 0.50 [0.020]          | 14 POSITION<br>28 AWG MAX.<br>2 AMP MAX.<br>PIN Ø = 0.50 [0.020]            |
| CONTACT RESISTANCE = 5 mΩ<br>TEST VOLTAGE = 1500V<br>WORKING VOLTAGE = 500V | CONTACT RESISTANCE = 5 mΩ<br>TEST VOLTAGE = 1300V<br>WORKING VOLTAGE = 430V | CONTACT RESISTANCE = 6 mΩ<br>TEST VOLTAGE = 1300V<br>WORKING VOLTAGE = 430V | CONTACT RESISTANCE = 6 mΩ<br>TEST VOLTAGE = 1250V<br>WORKING VOLTAGE = 415V | CONTACT RESISTANCE = 7.5 mΩ<br>TEST VOLTAGE = 1050V<br>WORKING VOLTAGE = 350V | CONTACT RESISTANCE = 7.5 mΩ<br>TEST VOLTAGE = 950V<br>WORKING VOLTAGE = 315V | CONTACT RESISTANCE = 7.5 mΩ<br>TEST VOLTAGE = 950V<br>WORKING VOLTAGE = 315V | CONTACT RESISTANCE = 10 mΩ<br>TEST VOLTAGE = 900V<br>WORKING VOLTAGE = 300V | CONTACT RESISTANCE = 10 mΩ<br>TEST VOLTAGE = 800V<br>WORKING VOLTAGE = 260V |

**RoHS COMPLIANT**