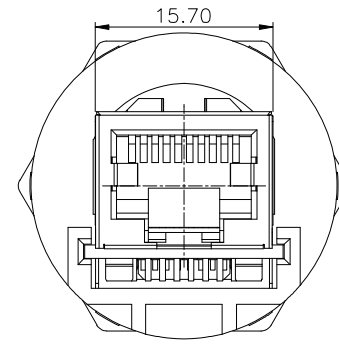
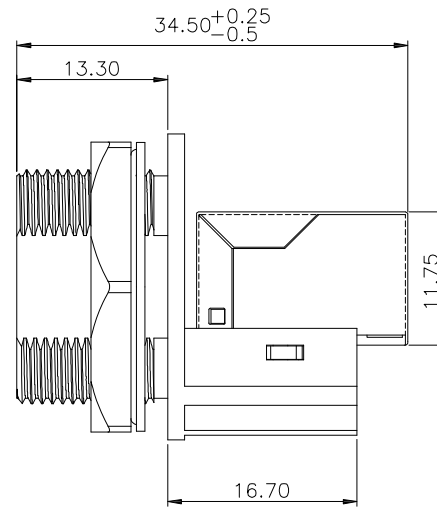
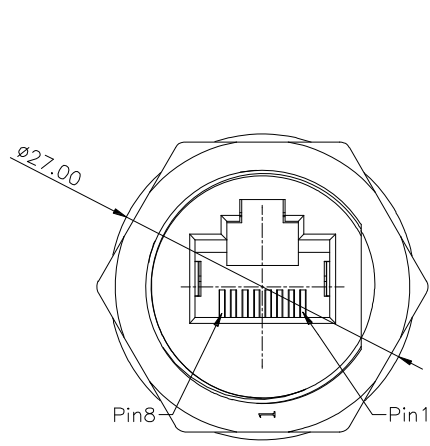
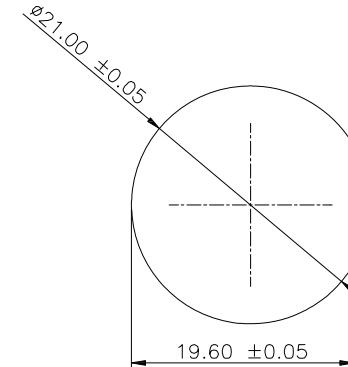
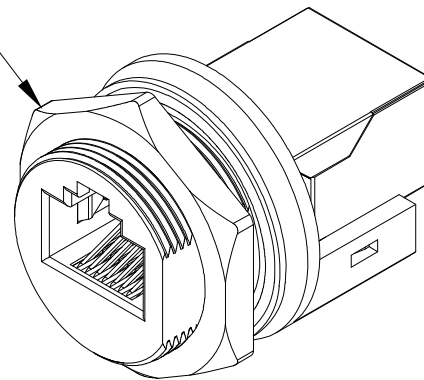


DESCRIPTION: IPRJ CONNECTOR - PLASTIC



Nut - Torque Spec (0.56 Nm)



Panel Cut-Out  
Panel Thick: 1.5~2.0mm


MATERIALS:

PLASTIC HOUSING: ENGINEERING THERMOPLASTIC  
FLAMMABILITY RATING UL 94V-0.  
CONTACTS: PHOSPHOR BRONZE  
PLATING: GOLD FLASH OVER NICKEL IN CONTACT.

Nut: ENGINEERING THERMOPLASTIC FLAMMABILITY RATING UL 94V-0.  
Gasket: Silicon

DO NOT SCALE FROM DRAWING

UNITS = mm

	THESE DRAWINGS AND SPECIFICATIONS ARE THE PROPERTY OF NorComp AND SHALL NOT BE REPRODUCED, COPIED OR USED AS THE BASIS FOR THE MANUFACTURE OF SALE OF APPARATUS WITHOUT WRITTEN PERMISSION.		DRAWN: <b>M. SIGMON</b>	DATE: <b>05-10-13</b>
	<h1>NorComp</h1>		SCALE: N.T.S.	SHEET 1 OF 1
DWG NO. <b>IPRJCONN-P</b>				

RoHS COMPLIANT