

DESCRIPTION: MICRO D-SUB CONNECTOR - MALE - RIGHT ANGLE

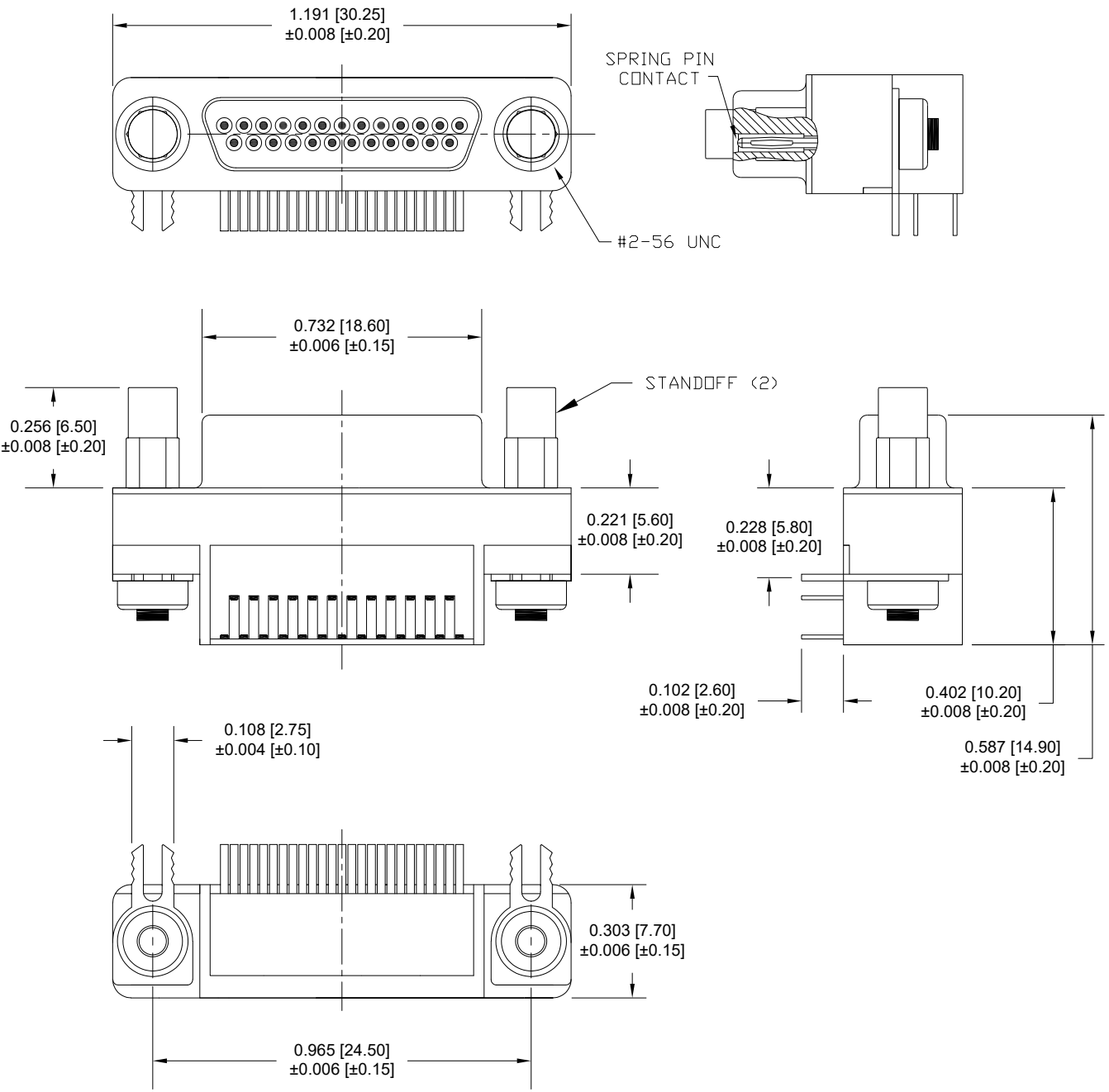
SPECIFICATIONS:

**MATERIALS:**  
 INSULATOR: THERMOPLASTIC, UL94 V-0  
 CONTACTS: 15µ" GOLD PLATED BRASS  
 TIN PLATED SOLDER TAILS  
 NICKEL UNDERPLATE  
 TIN PLATED STEEL

**ELECTRICAL:**  
 RATED CURRENT: 1A  
 D.W.V.: 500 VAC 1 MIN  
 INSULATION RESISTANCE: 100 MOhms MIN.  
 CONTACT RESISTANCE: 45 mOhms MAX.

**ENVIRONMENT:**  
 OPERATING TEMPERATURE: -55°C TO +85°C

MAX TORQUE STANDOFFS: 2.5in-lbs



**381-025-112L5Y5**

SERIES  
 POSITIONS  
 GENDER  
 1 = MALE  
 TERMINATION  
 1 = DIP SOLDER  
 SHELL PLATING  
 2 = TIN  
 HARDWARE OPTIONS  
 1 = BOARDLOCKS ONLY  
 6 = STANDOFFS & BOARDLOCKS  
 PLATING OPTIONS  
 5 = 15µ" GOLD PLATING

**NOTE:**  
 \*NOT DESIGNED TO MATE WITH NORCOMP 580-M // 581-M SERIES CONNECTORS. IF ANY QUESTIONS PLEASE CONTACT ENG@NORCOMP.NET  
 \*\*IF MATING TO NORCOMP 380 SERIES FEMALE MICRO D, STANDOFFS ON THIS CONNECTOR MUST BE REMOVED TO ALLOW FULLY FASTENED MATING

RoHS COMPLIANT

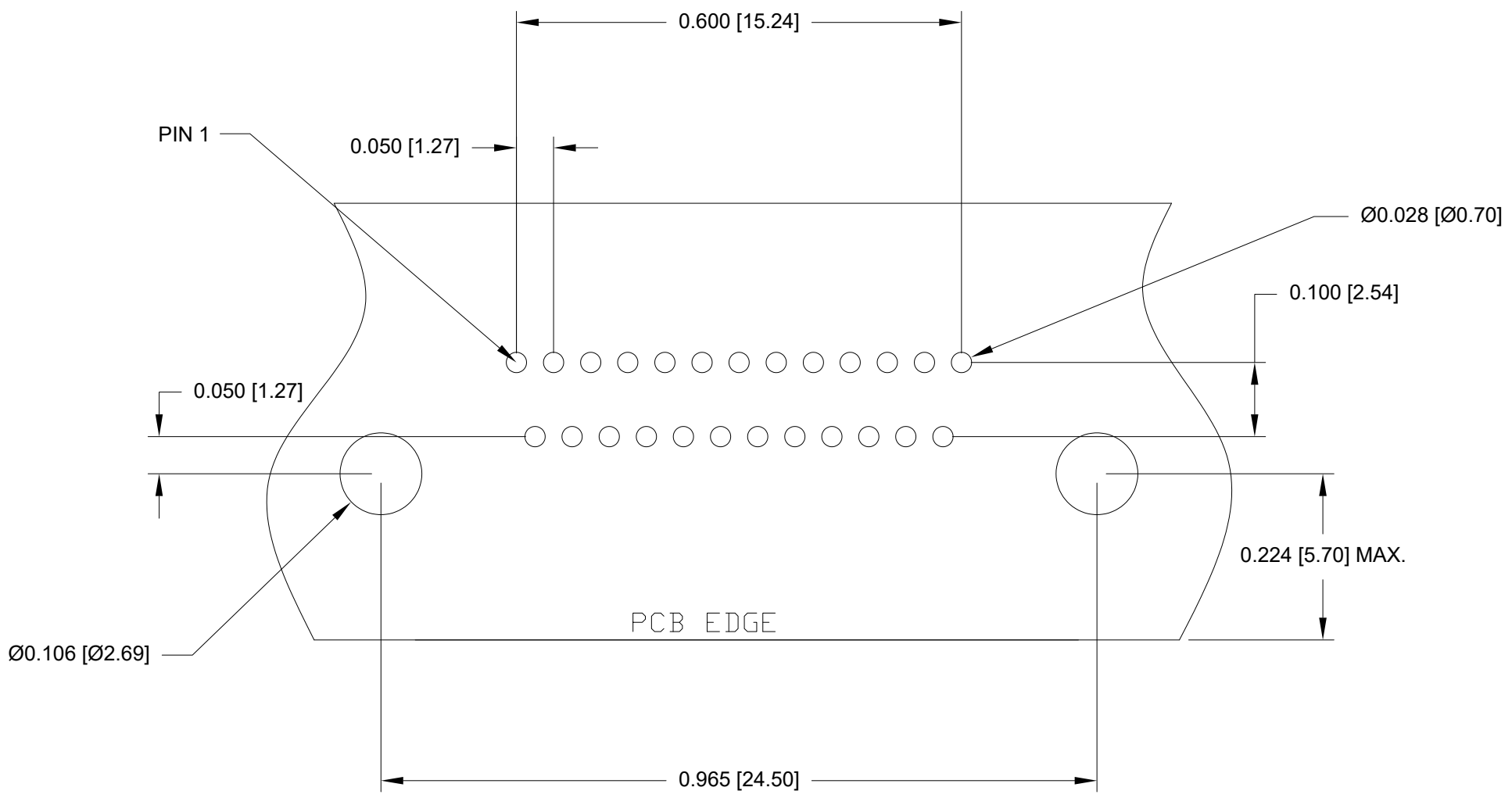
UNITS = inch [mm] DO NOT SCALE FROM DRAWING

THESE DRAWINGS AND SPECIFICATIONS ARE THE PROPERTY OF NorComp AND SHALL NOT BE REPRODUCED, COPIED OR USED AS THE BASIS FOR THE MANUFACTURE OR SALE OF APPARATUS WITHOUT WRITTEN PERMISSION.

DRAWN: M. SIGMON  
 DATE: 08/22/2011

**NorComp**

SCALE: NTS SHEET 1 OF 2 REV 5  
 DWG NO. 381-025-112L565



RECOMMENDED RECOMMENDED PCB LAYOUT (Top View)  
(25 POSITION ONLY) TOLERANCE ±0.002 [±0.05]

RoHS COMPLIANT

UNITS = inch [mm]

DO NOT SCALE FROM DRAWING



THESE DRAWINGS AND SPECIFICATIONS ARE THE PROPERTY OF NorComp AND SHALL NOT BE REPRODUCED, COPIED OR USED AS THE BASIS FOR THE MANUFACTURE OR SALE OF APPARATUS WITHOUT WRITTEN PERMISSION.

DRAWN:  
M. SIGMON  
DATE:  
08/22/2011

**NorComp**

SCALE: NTS	SHEET 2	OF 2	REV 5
DWG NO.		381-025-112L565	