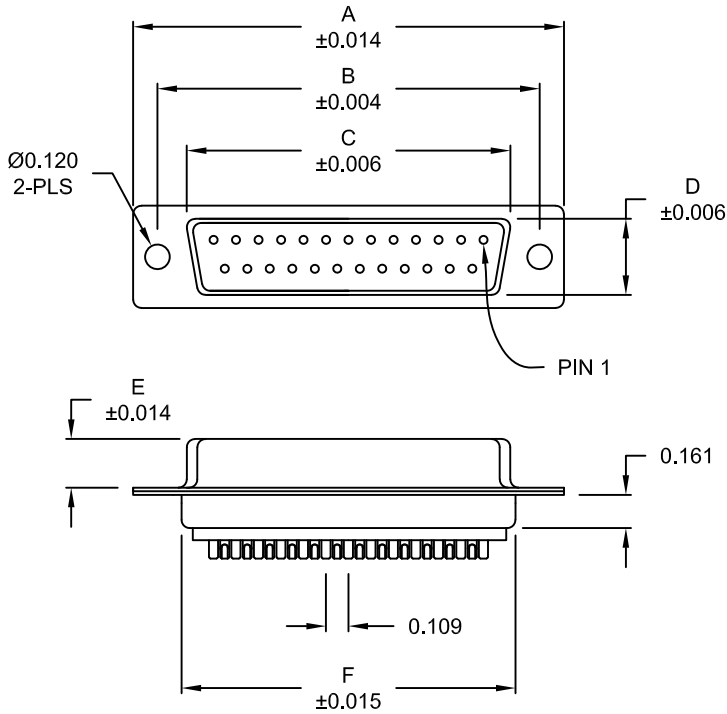
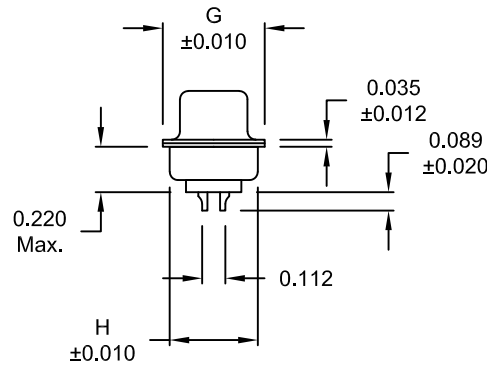


DESCRIPTION: FEMALE - SOLDER CUP - MACHINED - ECONOMY



WILL ACCEPT
26-20 AWG WIRE

No. OF PINS	DIMENSIONS							
	A	B	C	D	E	F	G	H
9	1.213	0.984	0.642	0.311	0.236	0.756	0.496	0.427
	30.80	24.99	16.30	7.90	5.99	19.20	12.60	10.85
15	1.541	1.312	0.970	0.311	0.236	1.091	0.496	0.427
	39.15	33.32	24.65	7.90	5.99	27.70	12.60	10.85
25	2.083	1.852	1.512	0.311	0.236	1.630	0.496	0.427
	52.91	47.04	38.41	7.90	5.99	41.40	12.60	10.85



772-EYY-20YRYY1

SERIES _____
 POSITIONS _____
 E09 _____
 E15 _____
 GENDER _____
 2 = FEMALE
 TERMINATION _____
 0 = SOLDER CUP
 SHELL PLATING _____
 2 = TIN
 3 = NICKEL
 RoHS COMPLIANT _____
 HARDWARE OPTIONS _____
 00 = NO HARDWARE
 01 = 0.065" CLINCH NUT, BOARD SIDE
 PLATING OPTIONS _____
 1 = GOLD FLASH

MATERIAL:

SHELL: STEEL, NICKEL OR TIN PLATED
 INSULATOR: UL 94V-O RATED PA6T
 PROCESS TEMP.: 260° C
 CONTACT: BRASS
 SEALING MATERIAL: F04 FLEXABLE ADHESIVE

ELECTRICAL:

CURRENT RATING: 5 AMPS
 CONTACT RESISTANCE: 15 mOhms Max.
 INSULATION RESISTANCE: 1,000 MOhms min.
 VOLTAGE: 500VAC FOR 1 MINUTE
 TEMPERATURE: -50° C TO 100° C

MEETS IP67 STANDARDS

(SEE PAGE 2 FOR SEALING DETAILS)

DO NOT SCALE FROM DRAWING



THESE DRAWINGS AND SPECIFICATIONS ARE THE PROPERTY OF NorComp AND SHALL NOT BE REPRODUCED, COPIED OR USED AS THE BASIS FOR THE MANUFACTURE OR SALE OF APPARATUS WITHOUT WRITTEN PERMISSION.

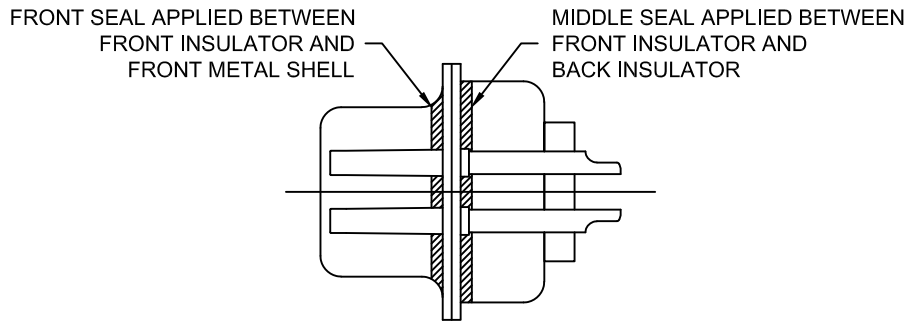
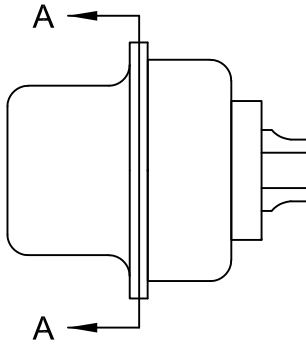
DRAWN: C. SMITH		DATE: 03-26-09	
SCALE: NTS	SHEET 1 OF 2	REV 5	
DWG NO. 772-EYY-20YRYY1			

RoHS COMPLIANT

NorComp

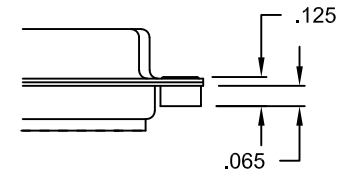
DESCRIPTION: IP67 - FEMALE - SOLDER CUP - MACHINED - ECONOMY - SEALING PROCESS

HARDWARE OPTION



DETAIL A-A

01X 0.065" (BOARD SIDE) - CN1



DO NOT SCALE FROM DRAWING



THESE DRAWINGS AND SPECIFICATIONS ARE THE PROPERTY OF NorComp AND SHALL NOT BE REPRODUCED, COPIED OR USED AS THE BASIS FOR THE MANUFACTURE OR SALE OF APPARATUS WITHOUT WRITTEN PERMISSION.

DRAWN: C. SMITH		DATE: 03-26-09	
SCALE: NTS	SHEET 2	OF 2	REV 5
DWG NO. 772-EYY-20YRY1			

NorComp