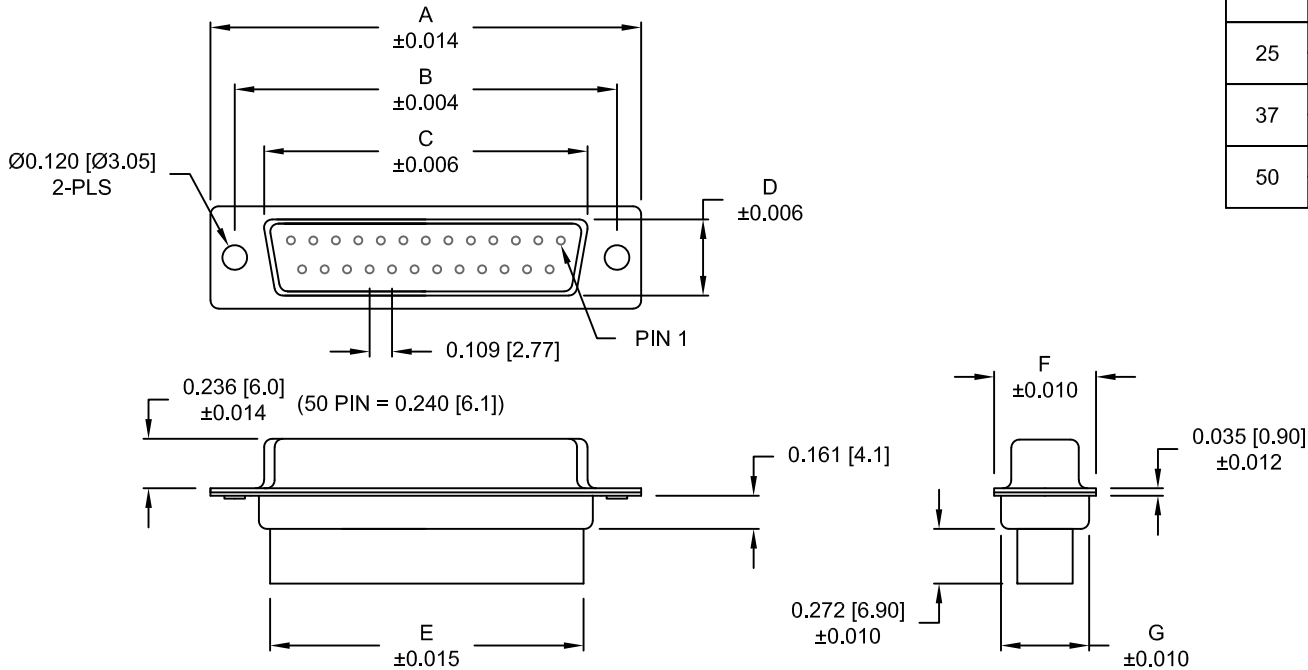


DESCRIPTION: FEMALE - CRIMP AND LOAD

****NOTE: CONTACTS MUST BE PURCHASED SEPARATELY****



No. OF PINS	DIMENSIONS						
	A	B	C	D	E	F	G
9	1.213	0.984	0.642	0.311	0.618	0.496	0.429
	30.80	24.99	16.30	7.90	15.70	12.60	10.90
15	1.541	1.312	0.970	0.311	0.933	0.496	0.429
	39.15	33.32	24.65	7.90	23.70	12.60	10.90
25	2.087	1.852	1.512	0.311	1.496	0.496	0.429
	53.00	47.04	38.40	7.90	38.00	12.60	10.90
37	2.728	2.500	2.157	0.311	2.142	0.496	0.429
	69.30	63.50	54.80	7.90	54.40	12.60	10.90
50	2.638	2.402	2.055	0.429	2.039	0.602	0.535
	67.00	61.00	52.20	10.90	51.80	15.30	13.60

170-YYY-27YL000

SERIES _____
 POSITIONS _____
 009 _____
 015 _____
 025 _____
 037 _____
 050 _____
 GENDER _____
 2 = FEMALE
 TERMINATION _____
 7 = CRIMP & LOAD
 SHELL PLATING _____
 2 = TIN
 3 = NICKEL
 RoHS COMPLIANT _____
 HARDWARE OPTIONS _____
 00 = NO HARDWARE
 01 = .098" CLINCH NUT (BOARD SIDE)
 02 = .236" CLINCH NUT (BOARD SIDE)
 03 = .236" CLINCH NUT (MATING SIDE)
 PLATING OPTIONS _____
 0 = NO CONTACTS

MATERIAL:



SHELL: STEEL, TIN OR NICKEL PLATED
 INSULATOR: UL 94V-O RATED, PBT-BLACK
 PROCESS TEMP.: 230°C

ELECTRICAL:

CURRENT RATING: 5 AMPS
 CONTACT RESISTANCE: 15 mOhms Max.
 INSULATION RESISTANCE: 1,000 MOhms min.
 VOLTAGE: 500VAC FOR 1 MINUTE
 TEMPERATURE: -50° C TO 100° C

RoHS COMPLIANT

DO NOT SCALE FROM DRAWING

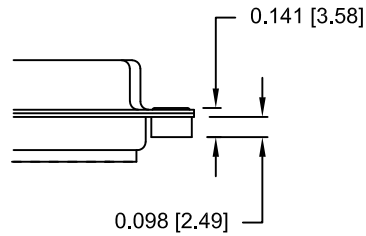
	THESE DRAWINGS AND SPECIFICATIONS ARE THE PROPERTY OF NorComp AND SHALL NOT BE REPRODUCED, COPIED OR USED AS THE BASIS FOR THE MANUFACTURE OF SALE OF APPARATUS WITHOUT WRITTEN PERMISSION.	DRAWN: PAM JENKINS	DATE: 08-18-98
		SCALE: NTS	SHEET 1 OF 2
		DWG NO. 170-YYY-27YL000	

DESCRIPTION: CLINCH NUT HARDWARE

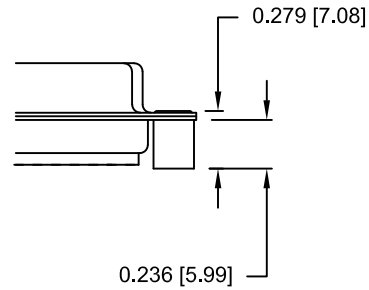
TOLERANCE:
ALL DIMENSIONS ARE ± 0.010

ALL CLINCH-NUTS ARE 4-40 INTERNAL THREADS

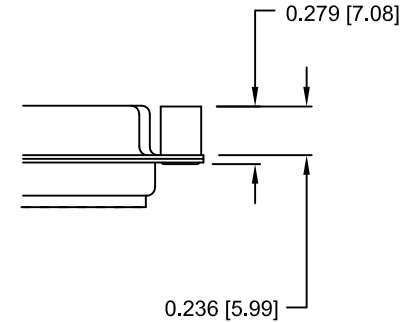
01X 0.065" (BOARD SIDE)



02X 0.236" (BOARD SIDE)



03X..... 0.236" (MATING SIDE)



DO NOT SCALE FROM DRAWING



THESE DRAWINGS AND SPECIFICATIONS ARE THE PROPERTY OF NorComp AND SHALL NOT BE REPRODUCED, COPIED OR USED AS THE BASIS FOR THE MANUFACTURE OF SALE OF APPARATUS WITHOUT WRITTEN PERMISSION.

DRAWN:
PAM JENKINS

DATE:
08-18-98

NorComp

SCALE: NTS SHEET 2 OF 2 REV 11

DWG NO. 170-YYY-17YL000

RoHS COMPLIANT