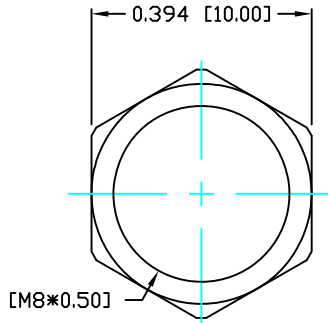
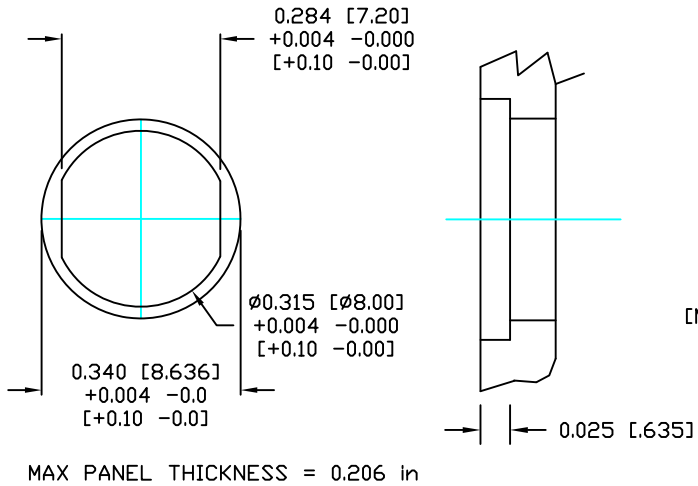
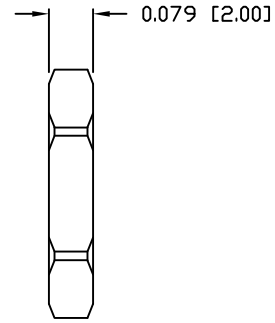


DESCRIPTION: M8 FEMALE - PANEL MOUNT (FRONT) - SOLDER CUP - 5 POS.

PANEL CUTOUT



NUT

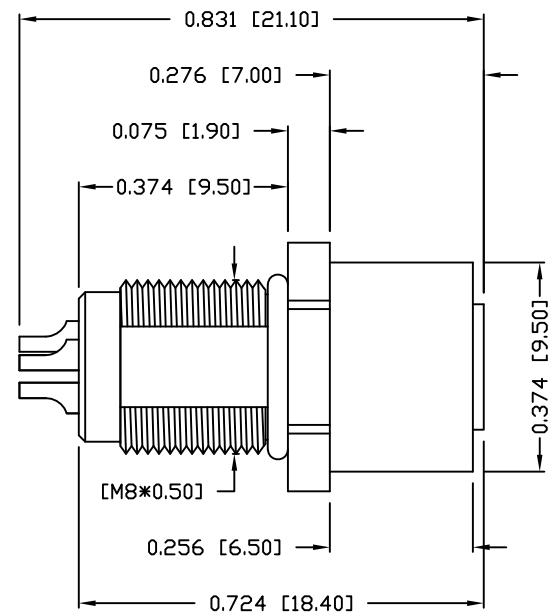


NOTE:

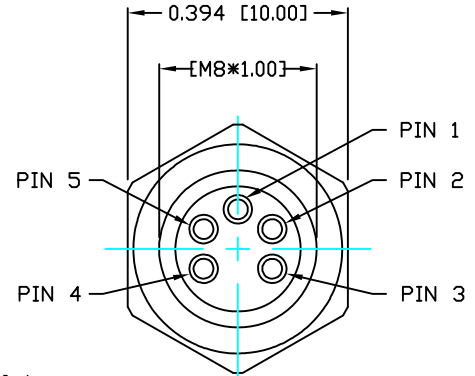
MATERIAL	
HOUSING:	PBT UL94V-0, BLACK
CONTACT:	BRASS
SHELL:	BRASS
NUT:	BRASS
O-RING:	EPDM, BLACK
FINISH:	
CONTACT:	GOLD PLATED OVER 50µ" NICKEL
SHELL:	NICKEL
NUT:	NICKEL
ELECTRICAL	
RATED CURRENT:	3A
RATED VOLTAGE:	125V
INSULATION RESISTANCE:	100 mΩhms MIN.
CONTACT RESISTANCE:	10 MΩhms MAX.
WATER PROOF:	IP67
ENVIRONMENT	
OPERATION TEMPERATURE:	-40°C TO +85°C
WIRE GAUGE:	24-28 AWG
MAX ASSEMBLY TORQUE:	4-5 in lbs

855-005-203R00Y

1 = GOLD FLASH  
4 = 10µ" GOLD



ORING DIAMETER = 0.340 in  
ORING THICKNESS = .035 in



RoHS COMPLIANT

DO NOT SCALE FROM DRAWING

	THESE DRAWINGS AND SPECIFICATIONS ARE THE PROPERTY OF NorComp AND SHALL NOT BE REPRODUCED, COPIED OR USED AS THE BASIS FOR THE MANUFACTURE OR SALE OF APPARATUS WITHOUT WRITTEN PERMISSION.	DRAWN: M. SIGMON	DATE: 03-04-16		SCALE: N.T.S.	SHEET 1 OF 1	REV 3
		CHECKED:	DATE:		DWG NO. 855-005-203R00Y		