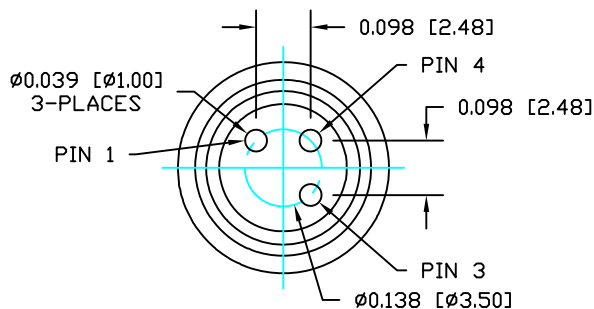
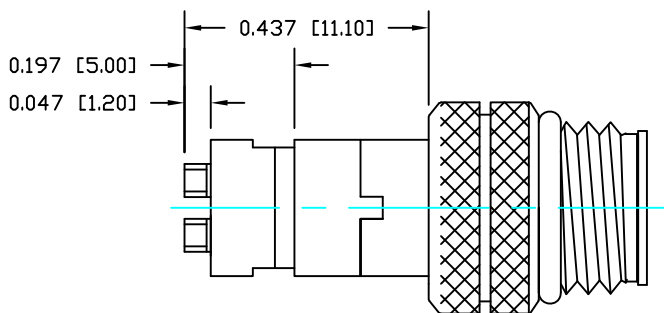
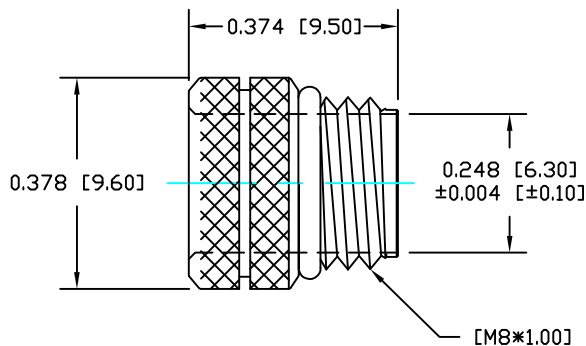
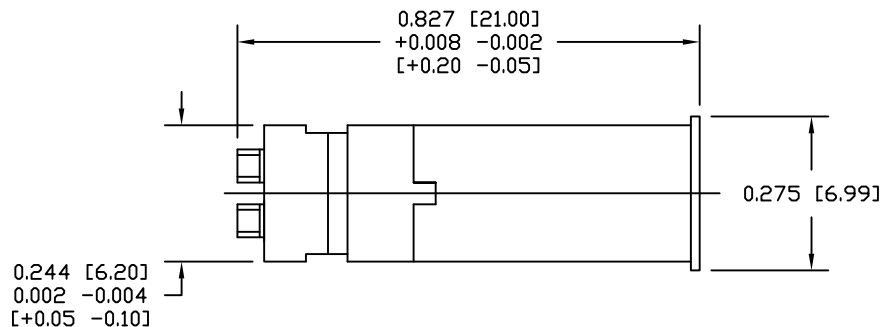
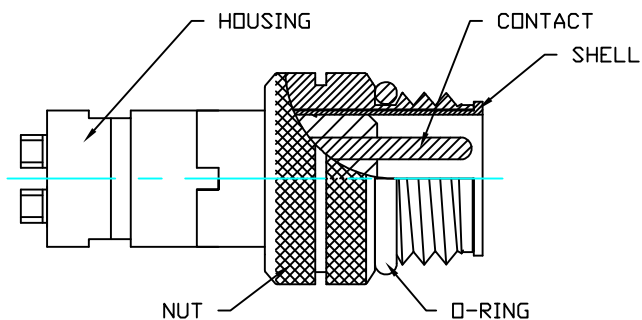


DESCRIPTION: M8 MALE - CABLE MOUNT - SOLDER CUP - 3 POS.



NOTE:

MATERIAL

HOUSING: PBT UL94V-0, BLACK
 CONTACT: COPPER ALLOY
 NUT: COPPER ALLOY
 SHELL: COPPER ALLOY
 O-RING: NBR, BLACK

FINISH

CONTACT: GOLD PLATED
 OVER 50µ" NICKEL
 NUT: NICKEL PLATED 60µ" TO 100µ" OVER ALL
 SHELL: NICKEL PLATED 60µ" TO 100µ" OVER ALL

ELECTRICAL

RATED CURRENT: 5A
 RATED VOLTAGE: 125V
 INSULATION RESISTANCE: 1000 MΩhms MIN.
 CONTACT RESISTANCE: 10 mΩhms MAX.
 WATER PROOF: IP67

ENVIRONMENT

OPERATION TEMPERATURE: -40°C TO +85°C
 WIRE GAUGE: 24-28 AWG

854-003-103RLSY

1 = GOLD FLASH
 4 = 10µ" GOLD

RoHS COMPLIANT

DO NOT SCALE FROM DRAWING



THESE DRAWINGS AND SPECIFICATIONS ARE THE PROPERTY OF NorComp AND SHALL NOT BE REPRODUCED, COPIED OR USED AS THE BASIS FOR THE MANUFACTURE OR SALE OF APPARATUS WITHOUT WRITTEN PERMISSION.

DRAWN: M. SIGMON

DATE: 03-04-16

CHECKED:

DATE:

NorComp

SCALE: N.T.S.

SHEET 1 OF 1

REV 2

DWG NO. 854-003-103RLSY