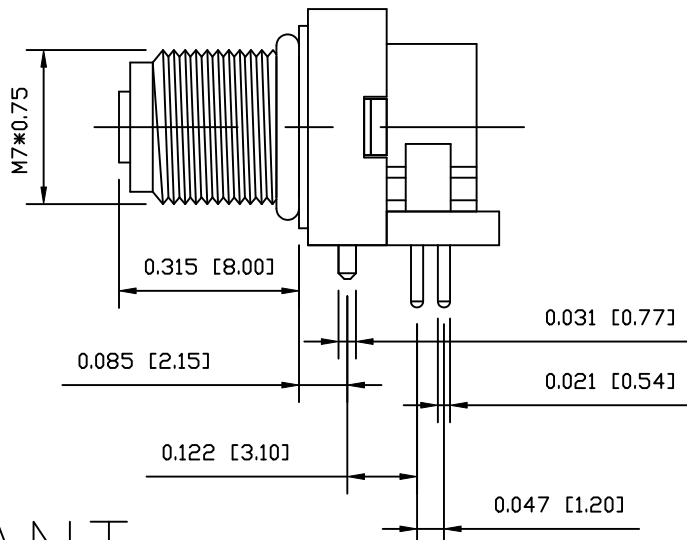
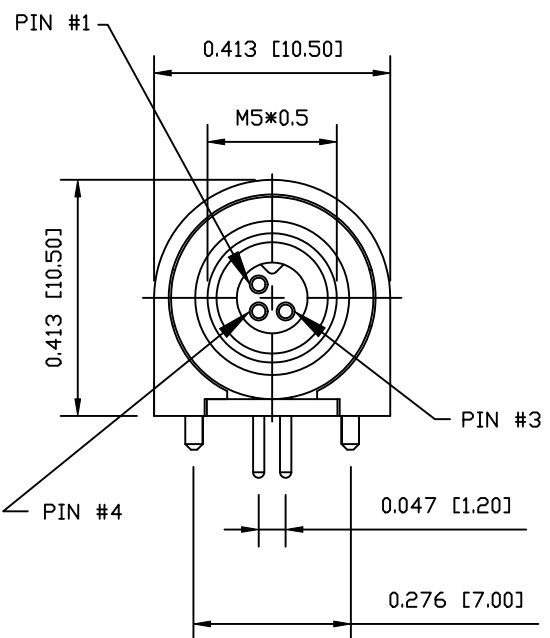
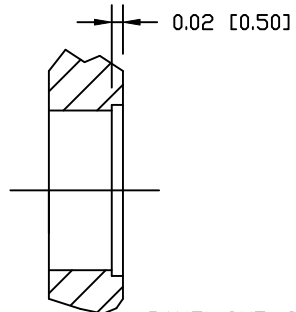
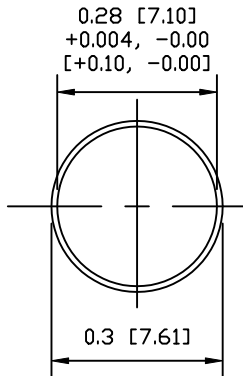
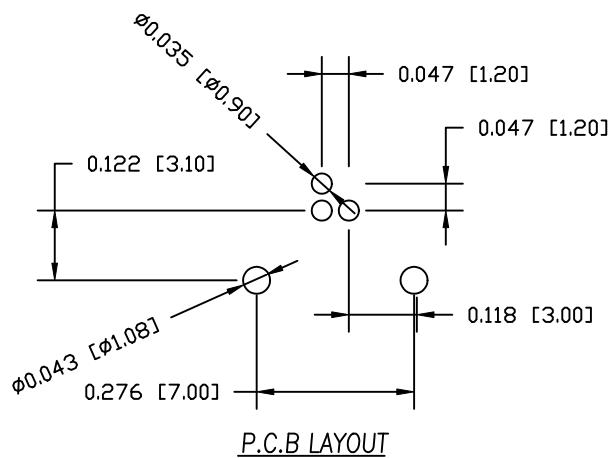
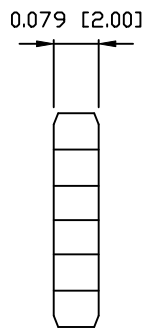
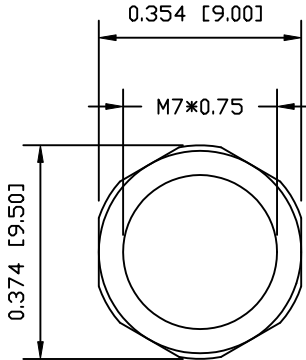
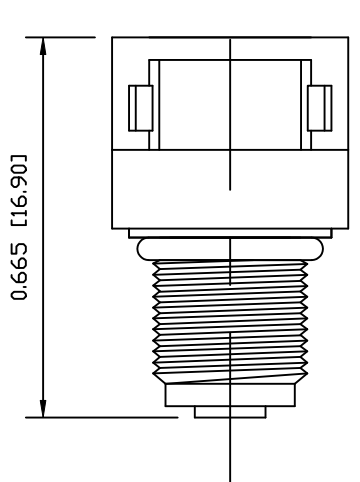


DESCRIPTION: M5 FEMALE - RIGHT ANGLE - PANEL MOUNT - 3 POSITION

UNITS = INCHES [MM]



NOTE:

MATERIAL
 HOUSING: PBT UL94V-0, BLACK
 CONTACT: BRASS
 NUT: BRASS
 O-RING: NBR, BLACK
 BACK HOUSING: PBT UL94V-0, BLACK
 DOWN HOUSING: PBT UL94V-0, BLACK

FINISH
 CONTACT: GOLD PLATED
 OVER 50µ" NICKEL
 NUT: NICKEL PLATED

ELECTRICAL
 RATED CURRENT: 1A
 RATED VOLTAGE: 60V
 INSULATION RESISTANCE: 100 MΩhms MIN.
 CONTACT RESISTANCE: 10 MΩhms MAX.
 WATER PROOF: IP67
 ENVIRONMENT
 OPERATION TEMPERATURE: -40°C TO +85°C
 MAX ASSEMBLY TORQUE: 1.5 in lbs

853-003-213R00Y

1 = GOLD FLASH
 4 = 10µ" GOLD

RoHS COMPLIANT

DO NOT SCALE FROM DRAWING



THESE DRAWINGS AND SPECIFICATIONS ARE THE PROPERTY OF NorComp AND SHALL NOT BE REPRODUCED, COPIED OR USED AS THE BASIS FOR THE MANUFACTURE OR SALE OF APPARATUS WITHOUT WRITTEN PERMISSION.

DRAWN: M. SIGMON
 CHECKED:

DATE: 03-03-16
 DATE:

NorComp

SCALE: NTS
 SHEET 1 OF 1
 REV 4
 DWG NO. 853-003-213R00Y