

NOTE:

MATERIAL

HOUSING: TPU, BLACK  
 SHELL: BRASS  
 CONTACT: PHOSPHOR BRONZE  
 NUT: BRASS  
 O-RING: NBR, BLACK

FINISH

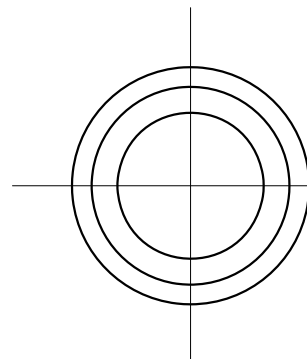
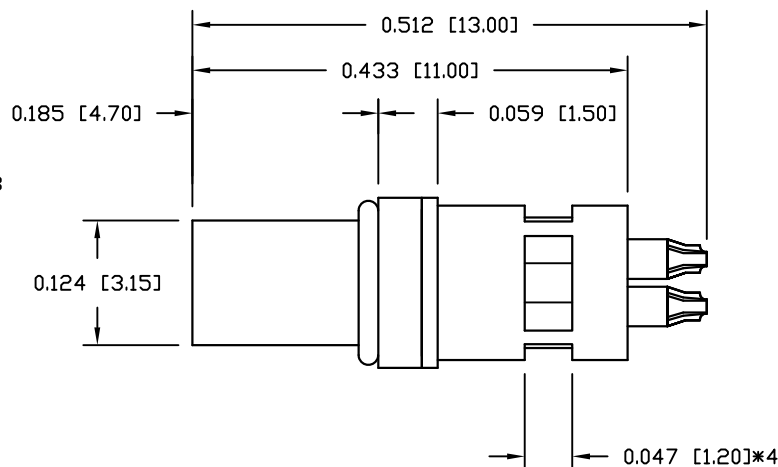
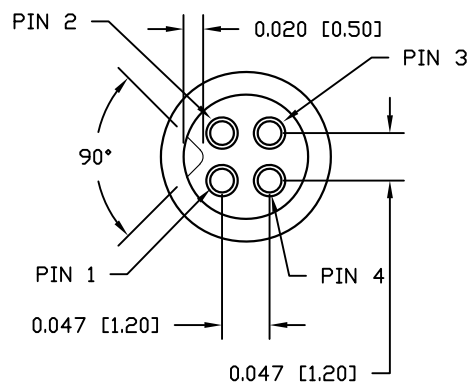
SHELL: TIN PLATED  
 CONTACT: GOLD PLATED  
 OVER 50µ NICKEL  
 NUT: NICKEL PLATED

ELECTRICAL

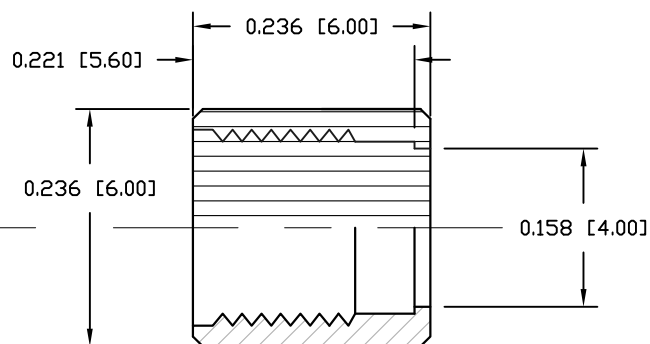
RATED CURRENT: 1A  
 RATED VOLTAGE: 60V  
 INSULATION RESISTANCE: 1000 MΩ MIN.  
 CONTACT RESISTANCE: 10 mΩ MAX.  
 WATER PROOF: MUST BE SEALED DURING ASSEMBLY PROCESS TO MEET 1P67 STANDARDS

ENVIRONMENT

OPERATION TEMPERATURE: -40°C TO +85°C  
 WIRE GAUGE: 26-28 AWG  
 MATING TORQUE = 1.5 in lbs max.

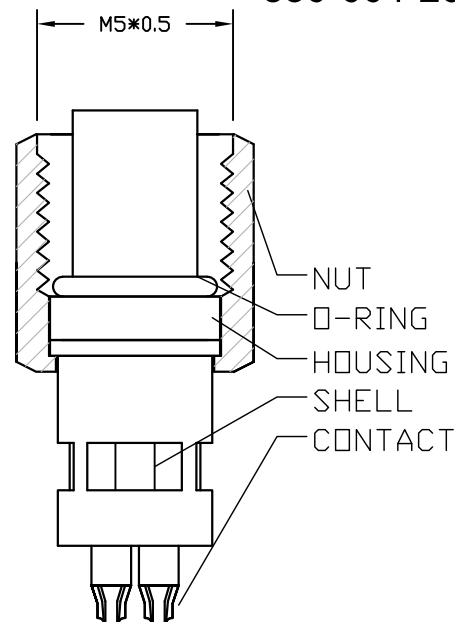


NUT



850-004-203RSSY

1 = GOLD FLASH  
 4 = 10µ" GOLD



RoHS COMPLIANT

DO NOT SCALE FROM DRAWING



THESE DRAWINGS AND SPECIFICATIONS ARE THE PROPERTY OF NorComp AND SHALL NOT BE REPRODUCED, COPIED OR USED AS THE BASIS FOR THE MANUFACTURE OR SALE OF APPARATUS WITHOUT WRITTEN PERMISSION.

DRAWN:

M. SIGMON

DATE:

03-04-16

NorComp

SCALE: NTS

SHEET 1 OF 1

REV 3

DWG NO.

850-004-203RSSY