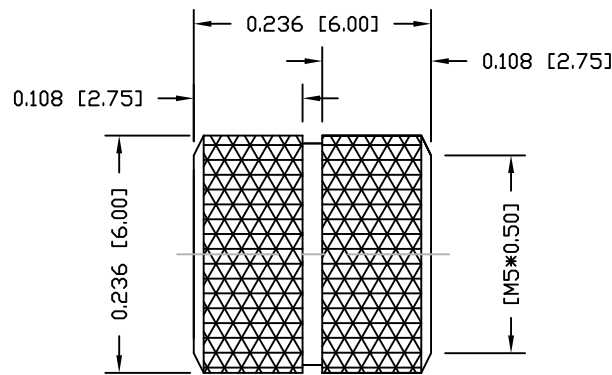
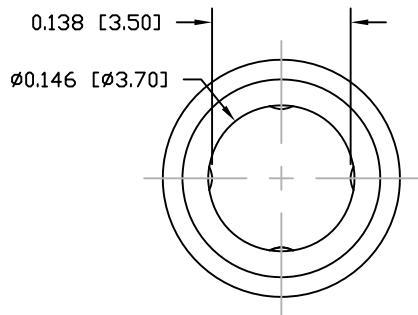
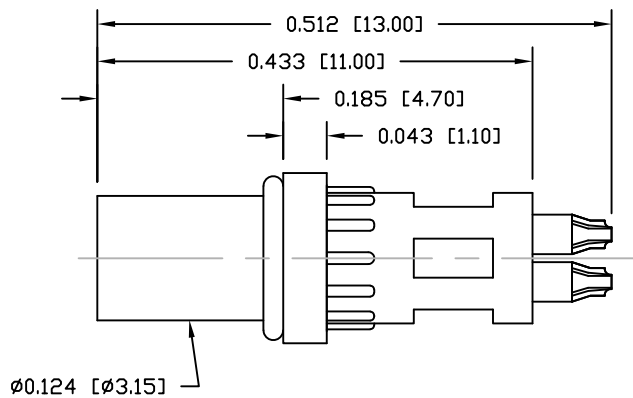
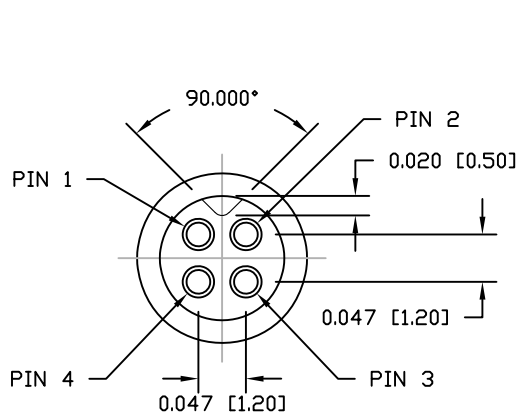


DESCRIPTION: M5 FEMALE - CABLE MOUNT - SOLDER CUP - 4 POSITION



NUT

NOTE:

MATERIAL

HOUSING: TPU, BLACK  
 CONTACT: PHOSPHOR BRONZE  
 NUT: BRASS  
 O-RING: NBR, BLACK

FINISH

CONTACT: GOLD PLATED  
 OVER 50µ NICKEL  
 SATIN NICKEL

NUT:

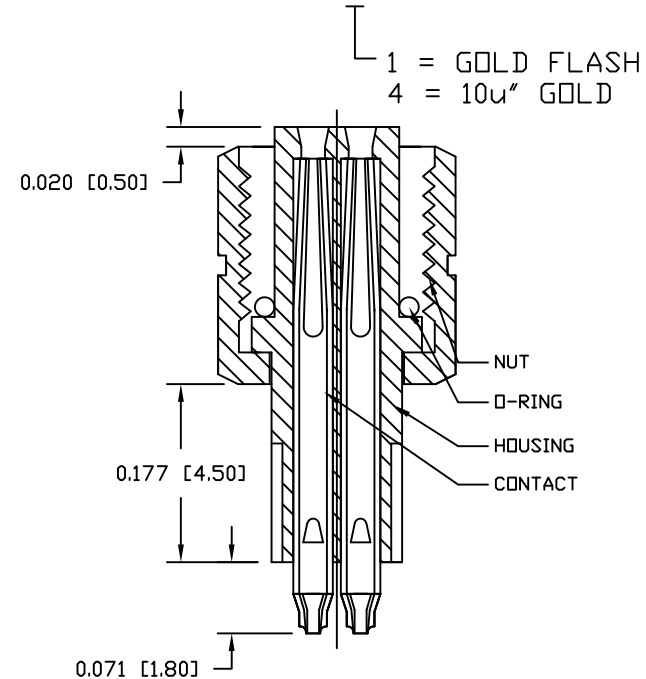
ELECTRICAL

RATED CURRENT: 1A  
 RATED VOLTAGE: 60V  
 INSULATION RESISTANCE: 1000 MΩ MIN.  
 CONTACT RESISTANCE: 10 mΩ MAX.  
 WATER PROOF: MUST BE SEALED DURING  
 ASSEMBLY PROCESS TO MEET  
 IP67 STANDARDS

ENVIRONMENT

OPERATION TEMPERATURE: -40°C TO +85°C  
 WIRE GAUGE: 26-28 AWG  
 MATING TORQUE = 1.5 in lbs max.

850-004-203RLUY



RoHS COMPLIANT

DO NOT SCALE FROM DRAWING



THESE DRAWINGS AND SPECIFICATIONS ARE THE PROPERTY OF NorComp AND SHALL NOT BE REPRODUCED, COPIED OR USED AS THE BASIS FOR THE MANUFACTURE OR SALE OF APPARATUS WITHOUT WRITTEN PERMISSION.

DRAWN:

M.SIGMON

DATE:

03-04-16

NorComp

SCALE: NTS

SHEET 1 OF 1

REV 3

DWG NO.

850-004-203RLUY