

NOTE:

MATERIAL

HOUSING: TPU, BLACK
 SHELL: BRASS
 CONTACT: PHOSPHOR BRONZE
 NUT: BRASS
 O-RING: NBR, BLACK

FINISH

SHELL: TIN PLATED
 CONTACT: GOLD PLATED
 OVER 50µ NICKEL
 NICKEL PLATED

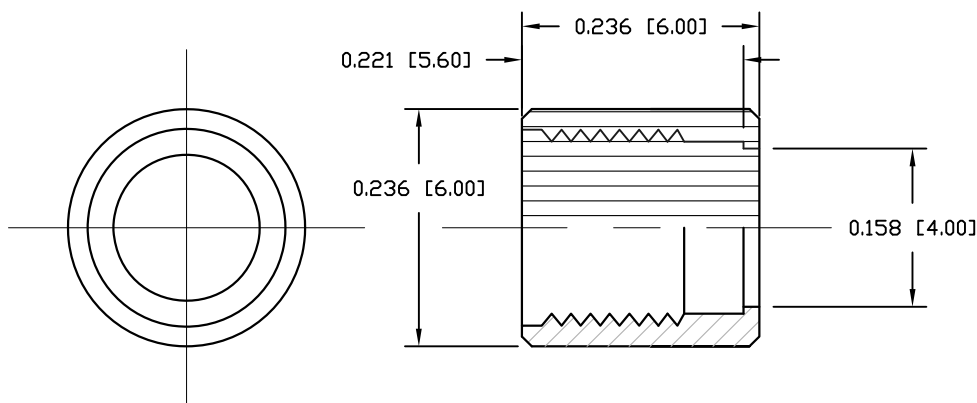
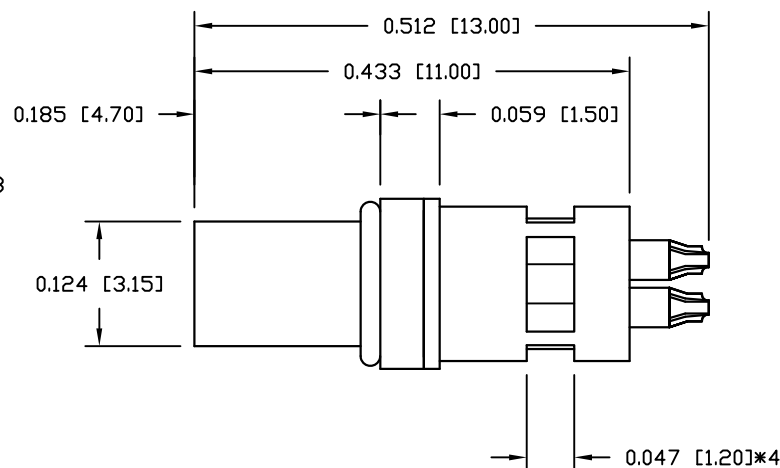
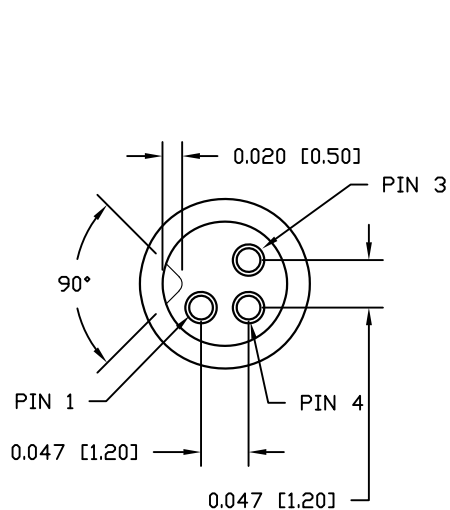
NUT:

ELECTRICAL

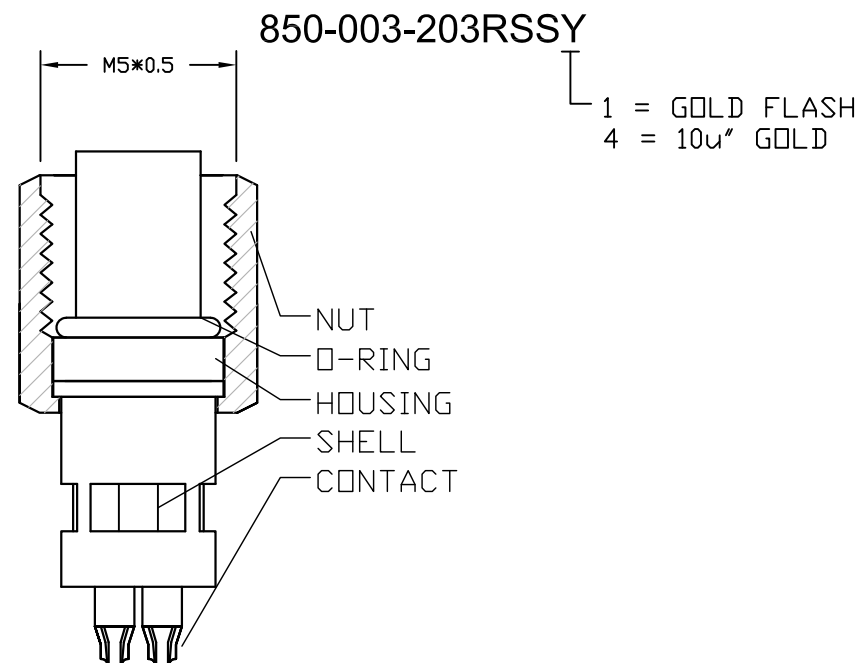
RATED CURRENT: 1A
 RATED VOLTAGE: 60V
 INSULATION RESISTANCE: 1000 MΩ MIN.
 CONTACT RESISTANCE: 10 mΩ MAX.
 WATER PROOF: MUST BE SEALED DURING ASSEMBLY PROCESS TO MEET 1P67 STANDARDS

ENVIRONMENT

OPERATION TEMPERATURE: -40°C TO +85°C
 WIRE GAUGE: 26-28 AWG
 MATING TORQUE = 1.5 in lbs max.



NUT



RoHS COMPLIANT

DO NOT SCALE FROM DRAWING



THESE DRAWINGS AND SPECIFICATIONS ARE THE PROPERTY OF NorComp AND SHALL NOT BE REPRODUCED, COPIED OR USED AS THE BASIS FOR THE MANUFACTURE OR SALE OF APPARATUS WITHOUT WRITTEN PERMISSION.

DRAWN:

M. SIGMON

DATE:

03-03-16

NorComp

SCALE: NTS

SHEET 1 OF 1

REV 3

DWG NO.

850-003-203RSSY