

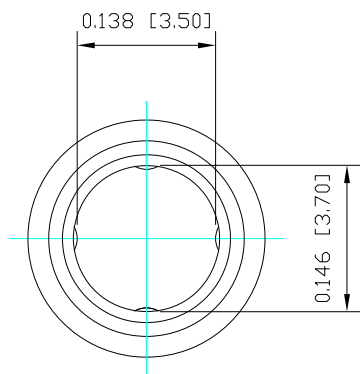
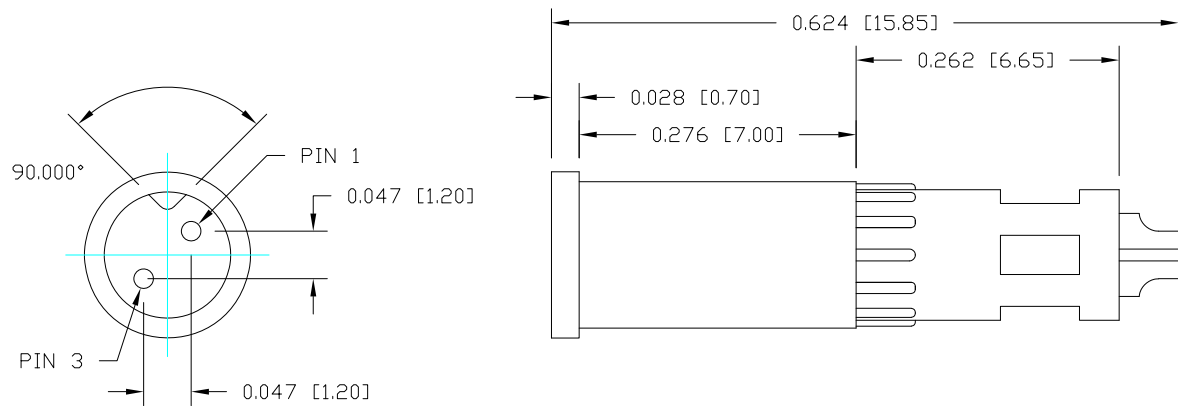
DESCRIPTION: M5 MALE - CABLE MOUNT - SOLDER CUP - 2 POSITION

NOTE:

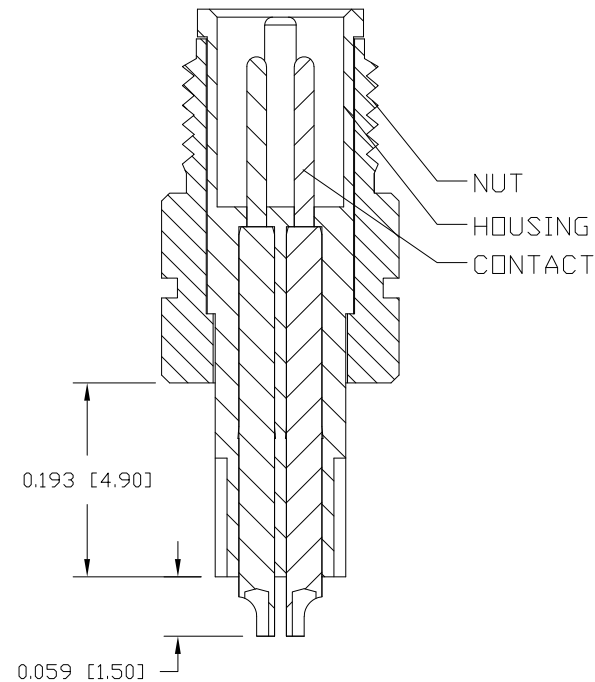
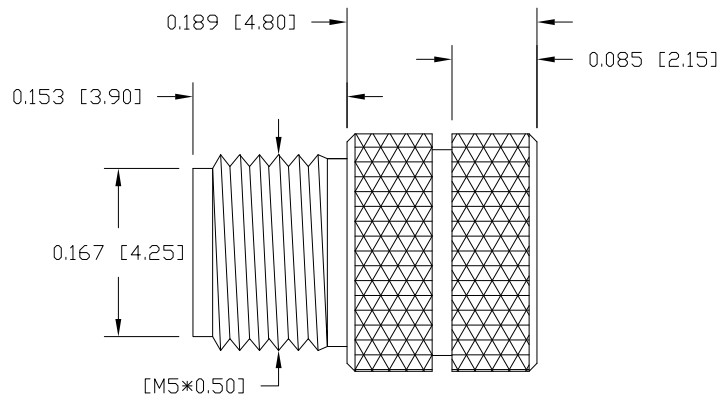
MATERIAL  
 HOUSING: TPU, BLACK  
 CONTACT: BRASS  
 NUT: BRASS  
 FINISH  
 CONTACT: GOLD PLATED  
 OVER 50µ NICKEL  
 SATIN NICKEL  
 NUT:  
 ELECTRICAL  
 RATED CURRENT: 1A  
 RATED VOLTAGE: 60V  
 INSULATION RESISTANCE: 1000 MOhms MIN.  
 CONTACT RESISTANCE: 10 mOhms MAX.  
 WATER PROOF: IP67  
 ENVIRONMENT  
 OPERATION TEMPERATURE: -40°C TO +85°C  
 WIRE GAUGE: 26 - 28 AWG  
 MATING TORQUE: 1.5 in lbs max.

850-002-103RLUY

1 = GOLD FLASH  
 4 = 10µ" GOLD



NUT



RoHS COMPLIANT

DO NOT SCALE FROM DRAWING



THESE DRAWINGS AND SPECIFICATIONS ARE THE PROPERTY OF NorComp AND SHALL NOT BE REPRODUCED, COPIED OR USED AS THE BASIS FOR THE MANUFACTURE OR SALE OF APPARATUS WITHOUT WRITTEN PERMISSION.

DRAWN: C. SMITH

DATE: 03-03-16

CHECKED:

DATE:

NorComp

SCALE: NTS

SHEET 1 OF 1

REV 3

DWG NO.

850-002-103RLUY