

DESCRIPTION: M12 MALE - PANEL MOUNT (REAR) - RIGHT ANGLE - 8 POS.

NOTE:

MATERIAL

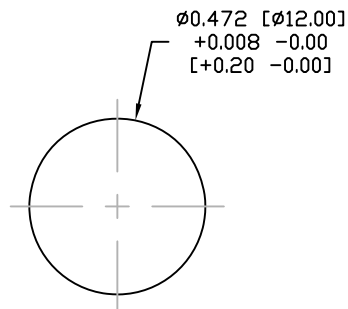
HOUSING: PBT UL94V-0, BLACK
 CONTACT: BRASS
 NUT: BRASS
 O-RING: NBR, BLACK
 BACK HOUSING: PBT UL94V-0, BLACK
 DOWN HOUSING: PBT UL94V-0, BLACK

FINISH

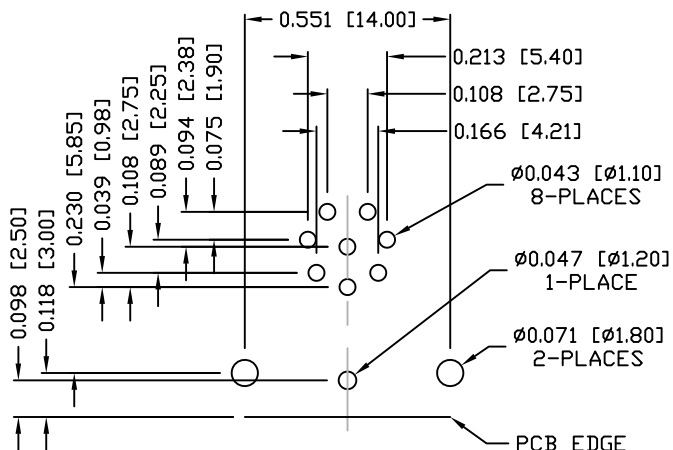
CONTACT: GOLD PLATED
 OVER 50µ" NICKEL
 SHELL: SATIN NICKEL
 80µ" TO 100µ" OVER ALL

ELECTRICAL

RATED CURRENT: 3A
 RATED VOLTAGE: 125V
 INSULATION RESISTANCE: 100 MΩhms MIN.
 CONTACT RESISTANCE: 10 mΩhms MAX.
 WATER PROOF: IP67
 ENVIRONMENT
 OPERATION TEMPERATURE: -40°C TO +85°C



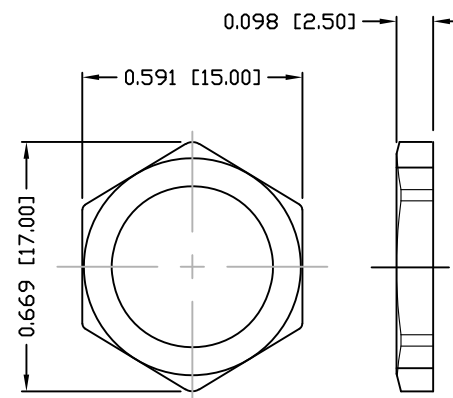
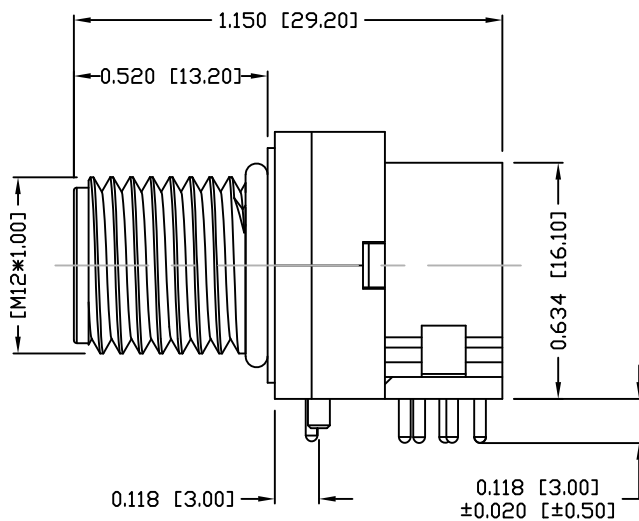
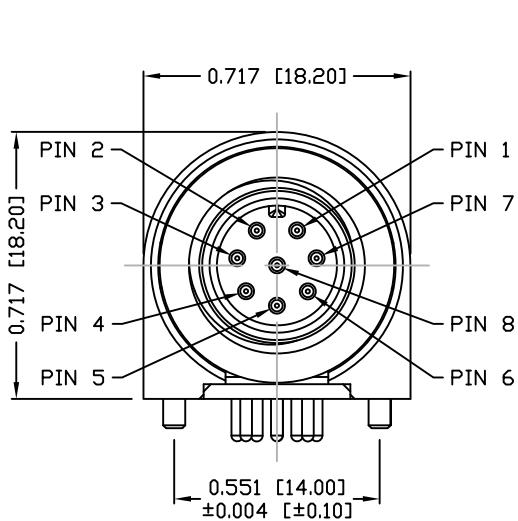
PANEL CUTOUT



PCB LAYOUT

861-008-113R00Y

1 = GOLD FLASH
 4 = 10µ" GOLD



NUT

RoHS COMPLIANT

DO NOT SCALE FROM DRAWING



THESE DRAWINGS AND SPECIFICATIONS ARE THE PROPERTY OF NorComp AND SHALL NOT BE REPRODUCED, COPIED OR USED AS THE BASIS FOR THE MANUFACTURE OR SALE OF APPARATUS WITHOUT WRITTEN PERMISSION.

DRAWN:

M. SIGMON

DATE:

03-07-16

NorComp

SCALE:

NTS

SHEET

1

OF

1

REV

1

DWG NO.

861-008-113R00Y