

DESCRIPTION: M12 MALE - PANEL MOUNT (REAR) - PCB - 4 POS.

NOTE:

MATERIAL

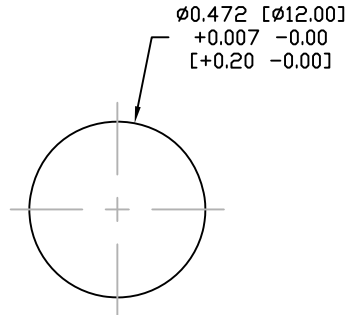
HOUSING:	PBT UL94V-0, BLACK
CONTACT:	BRASS
NUT:	BRASS
O-RING:	NRB, BLACK
BACK HOUSING:	PBT, UL94V-0, BLACK
DOWN HOUSING:	PBT, UL94V-0, BLACK
FINISH	
CONTACT:	GOLD PLATED
	OVER 50 μ NICKEL
SHELL:	SATIN NICKEL
	80 μ TO 100 μ OVER

ELECTRICAL

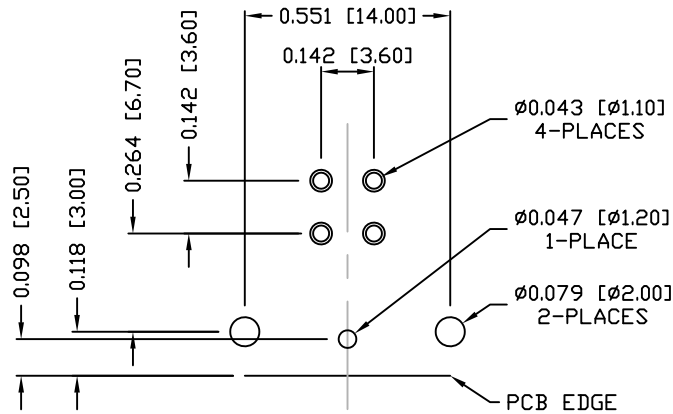
RATED CURRENT:	5A
RATED VOLTAGE:	125V
INSULATION RESISTANCE:	100 M Ω ms MIN.
CONTACT RESISTANCE:	10 m Ω ms MAX.
WATER PROOF:	IP67

ENVIRONMENT

OPERATION TEMPERATURE: -40°C TO +85°C



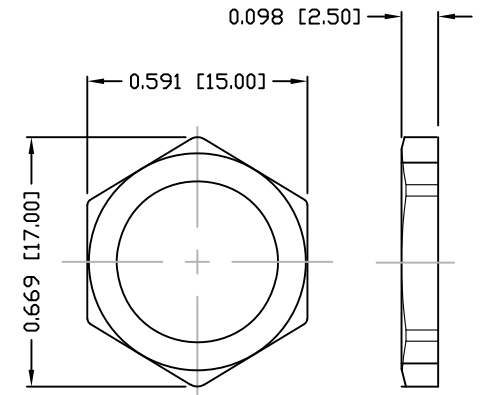
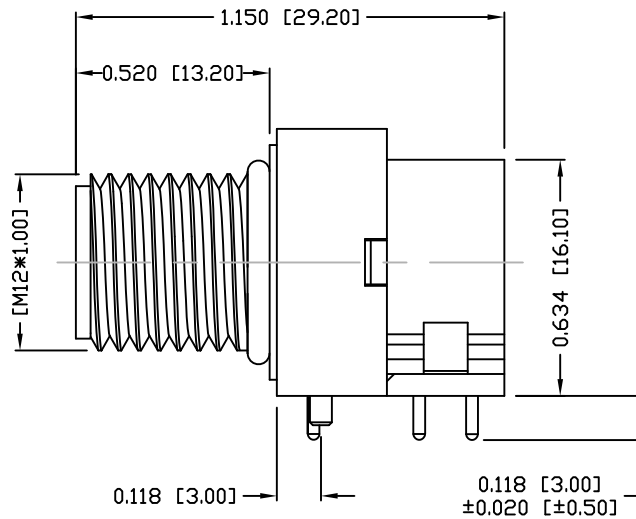
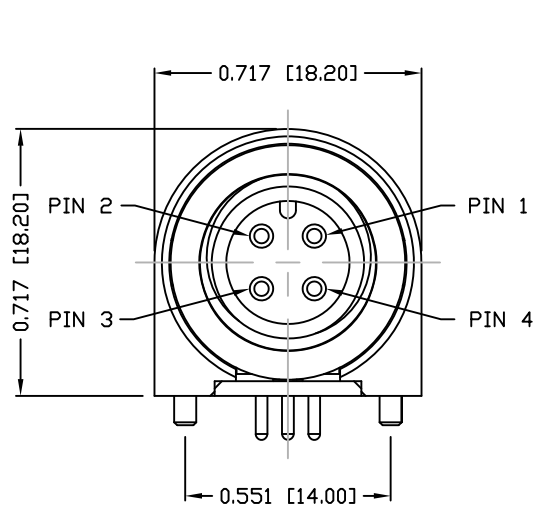
PANEL CUTOUT



PCB LAYOUT

861-004-113R00Y

1 = GOLD FLASH
4 = 10 μ GOLD



NUT

RoHS COMPLIANT

DO NOT SCALE FROM DRAWING



THESE DRAWINGS AND SPECIFICATIONS ARE THE PROPERTY OF NorComp AND SHALL NOT BE REPRODUCED, COPIED OR USED AS THE BASIS FOR THE MANUFACTURE OR SALE OF APPARATUS WITHOUT WRITTEN PERMISSION.

DRAWN:

M. SIGMON

DATE:

03-07-16

NorComp

SCALE:

NTS

SHEET

1

OF

1

REV

1

DWG NO.

861-004-113R00Y