

**SPECIFICATIONS:**

**MATERIALS:**

HOUSING: PBT, UL94 V-0, BLACK  
 CONTACTS: GOLD PLATED BRASS (SEE P/N KEY BELOW)  
 NUT: NICKEL PLATED BRASS  
 SHELL: NICKEL PLATED BRASS  
 ORING: EPDM, BLACK

**ELECTRICAL:**

RATED CURRENT: 4A  
 RATED VOLTAGE: 250V  
 INSULATION RESISTANCE: 100 MOhms MIN.  
 CONTACT RESISTANCE: 10 mOhms MAX.

**ENVIRONMENT:**

OPERATING TEMPERATURE: -40°C TO +85°C  
 WATER PROOF: IP67

**NORCOMP MATING PART NUMBERS:**

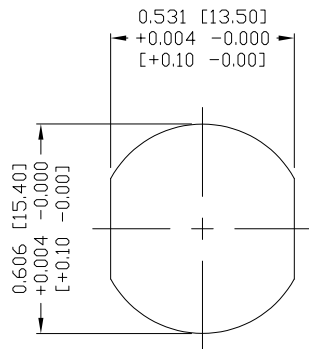
858-003-203RKT4\*  
 858-003-203RLS4\*  
 858-003-203RSU4\*

\*Also all material and contact plating variants

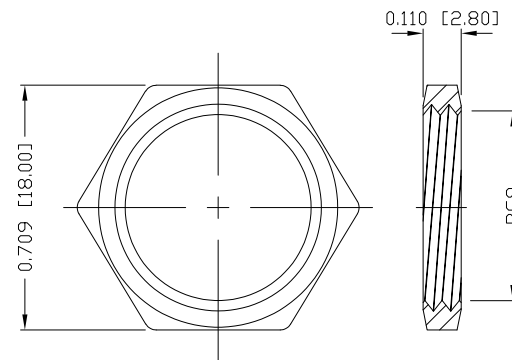
**860-L03-113R00Y**

3 = BRASS/NICKEL SHELL & NUT  
 S = STAINLESS STEEL SHELL & NUT

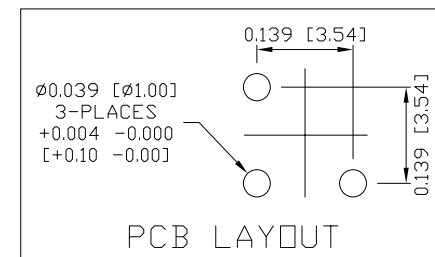
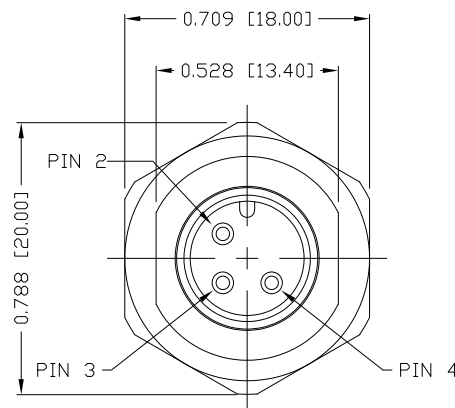
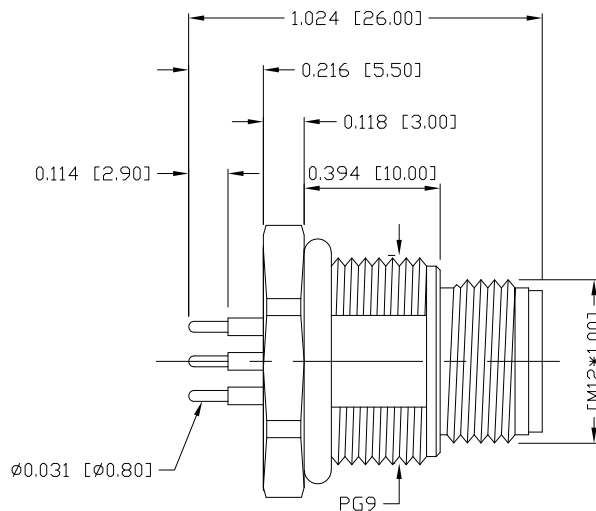
1 = GOLD FLASH  
 4 = 10µ" GOLD



PANEL CUTOUT



NUT



PCB LAYOUT

**RoHS COMPLIANT**

UNITS = inch [mm]

**DO NOT SCALE FROM DRAWING**



THESE DRAWINGS AND SPECIFICATIONS ARE THE PROPERTY OF NorComp AND SHALL NOT BE REPRODUCED, COPIED OR USED AS THE BASIS FOR THE MANUFACTURE OR SALE OF APPARATUS WITHOUT WRITTEN PERMISSION.

DRAWN:  
M. SIGMON

DATE:  
03/07/2016

**NorComp**

SCALE:  
NTS

SHEET 1 OF 1

REV 4

DWG NO.

**860-L03-113R00Y**