

SPECIFICATIONS:

MATERIALS:

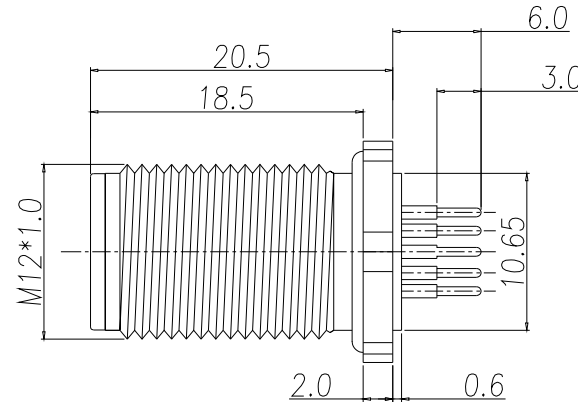
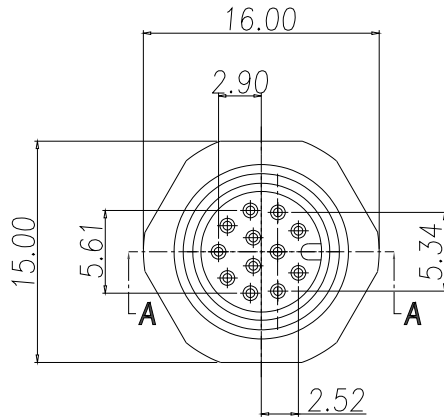
HOUSING: PBT, UL94 V-0, BLACK
 CONTACTS: GOLD PLATED BRASS (SEE P/N KEY BELOW)
 NUT: NICKEL PLATED BRASS
 SHELL: NICKEL PLATED BRASS
 ORING: EPDM, BLACK

ELECTRICAL:

RATED CURRENT: 1.5A
 RATED VOLTAGE: 30V
 INSULATION RESISTANCE: 100 MOhms MIN.
 CONTACT RESISTANCE: 10 mOhms MAX.

ENVIRONMENT:

OPERATING TEMPERATURE: -40°C TO +85°C
 WATER PROOF: IP67

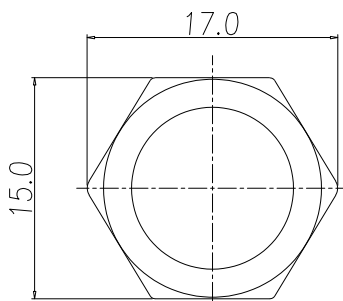


860-012-113R00Y

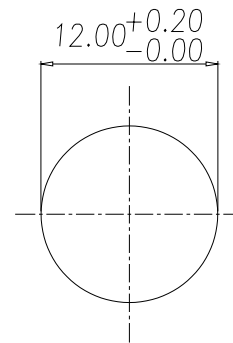
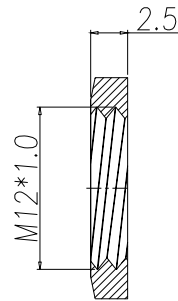
3 = BRASS/NICKEL SHELL & NUT
 S = STAINLESS STEEL SHELL & NUT

1 = GOLD FLASH
 4 = 10µ" GOLD

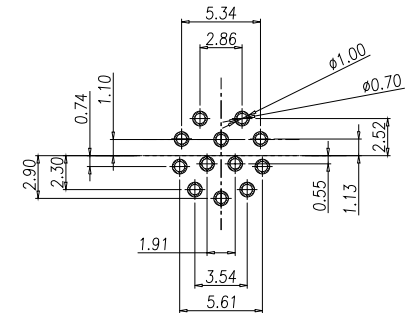
Full stainless steel variant successfully passes 96-hour salt spray testing per ASTM B117



NUT



RECOMMEND PANEL CUT-OUT



RECOMMEND P.C.B LAYOUT

RoHS COMPLIANT

UNITS = mm

DO NOT SCALE FROM DRAWING



THESE DRAWINGS AND SPECIFICATIONS ARE THE PROPERTY OF NorComp AND SHALL NOT BE REPRODUCED, COPIED OR USED AS THE BASIS FOR THE MANUFACTURE OR SALE OF APPARATUS WITHOUT WRITTEN PERMISSION.

DRAWN: M. SIGMON

DATE: 03/08/2016

NorComp

SCALE: NTS

SHEET 1 OF 1

REV 8

DWG NO.

860-012-113R00Y