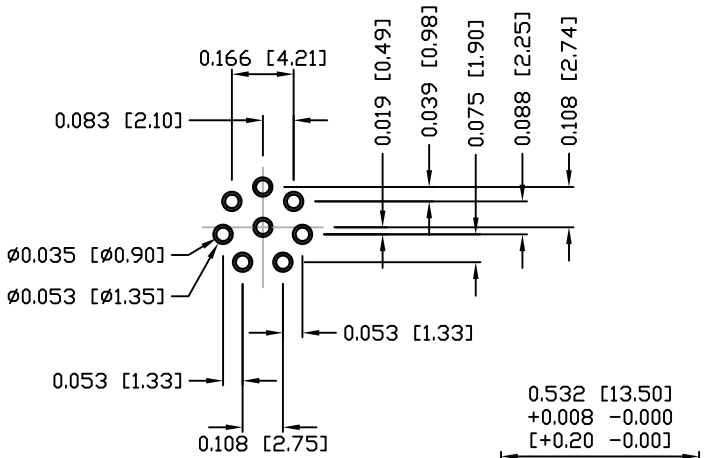
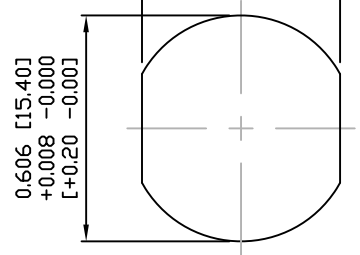


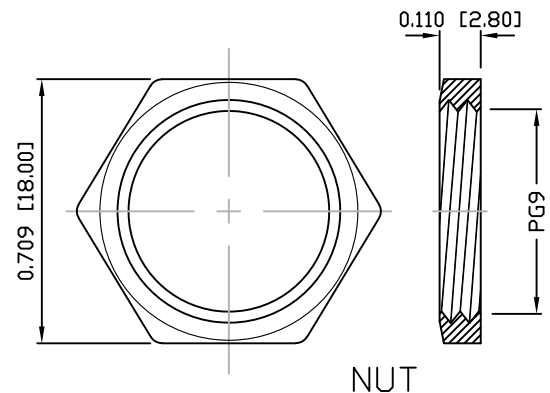
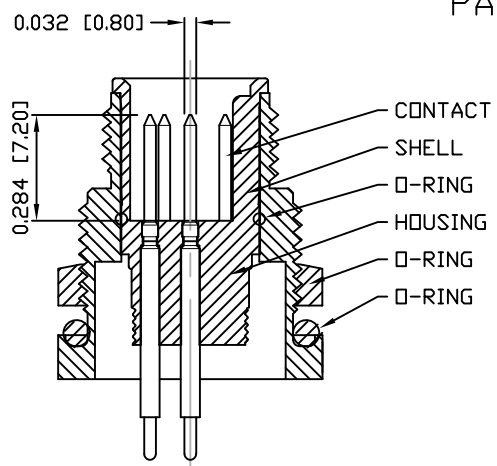
DESCRIPTION: M12 MALE - BOARD MOUNT - 8 POS.



PCB LAYOUT



PANEL CUTOUT



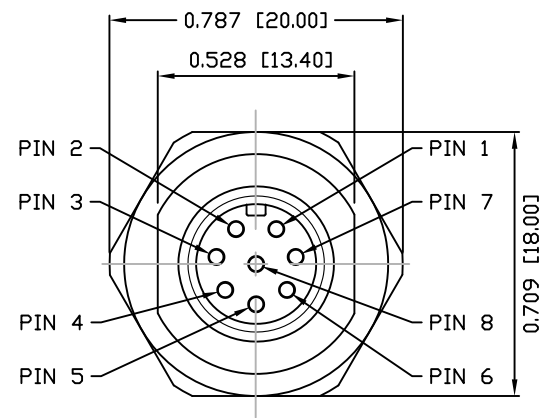
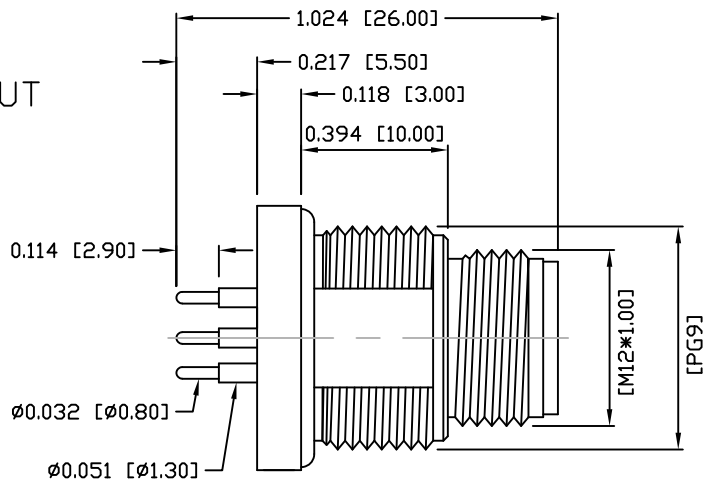
NUT

NOTE:
MATERIAL
 HOUSING: PBT UL94V-0, BLACK
 CONTACT: BRASS
 SHELL: BRASS
 NUT: BRASS
 O-RING: EPDM, BLACK
FINISH
 CONTACT: GOLD PLATED
 OVER 50µ" NICKEL
 SHELL: NICKEL PLATED
 NUT: NICKEL PLATED
ELECTRICAL:
 RATED CURRENT: 5A
 RATED VOLTAGE: 125V
 INSULATION RESISTANCE: 100 MΩhms MIN.
 CONTACT RESISTANCE: 10 mΩhms MAX.
 WATER PROOF: IP67
ENVIRONMENT:
 OPERATION TEMPERATURE: -40°C TO +80°C

860-008-113R00Y

3 = BRASS/NICKEL SHELL & NUT
 S = STAINLESS STEEL SHELL & NUT

1 = GOLD FLASH
 4 = 10µ" GOLD



RoHS COMPLIANT

DO NOT SCALE FROM DRAWING

	THESE DRAWINGS AND SPECIFICATIONS ARE THE PROPERTY OF NorComp AND SHALL NOT BE REPRODUCED, COPIED OR USED AS THE BASIS FOR THE MANUFACTURE OR SALE OF APPARATUS WITHOUT WRITTEN PERMISSION.	DRAWN: M. SIGMON	DATE: 09-05-14	NorComp	SCALE: NTS	SHEET 1 OF 1	REV 2
					DWG NO. 860-008-113R00Y		