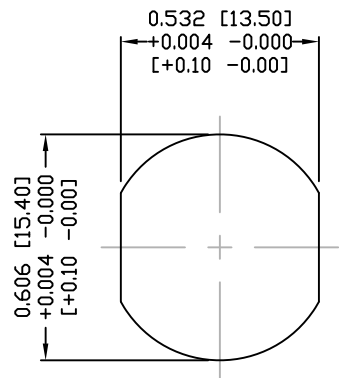


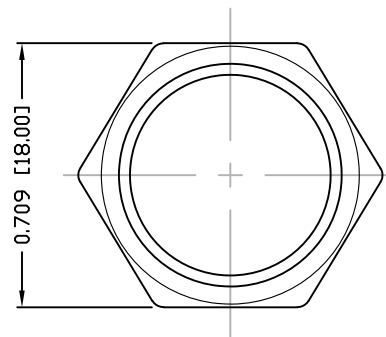
DESCRIPTION: M12 MALE - PANEL MOUNT (REAR) - 4 POS.

NOTE:

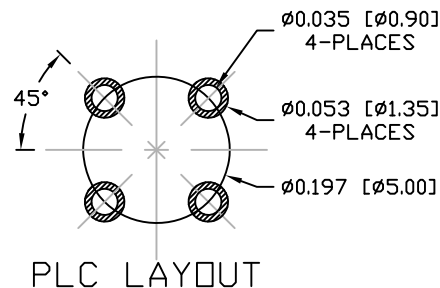
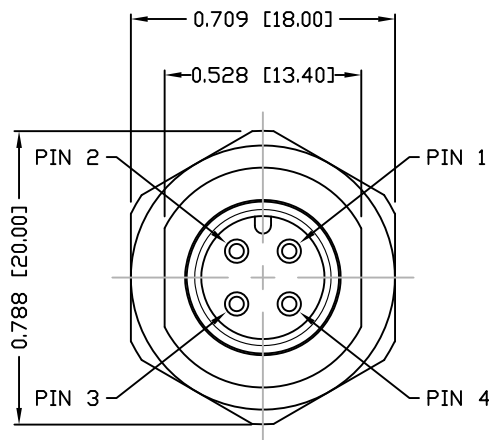
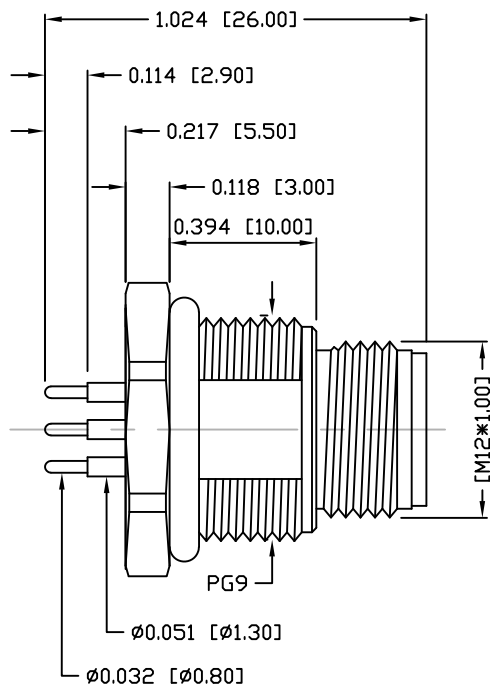
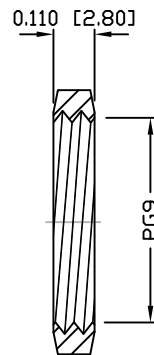
MATERIAL  
 HOUSING: PBT UL94V-0, BLACK  
 CONTACT: BRASS  
 NUT: BRASS  
 SHELL: BRASS  
 O-RING: EPDM  
 FINISH  
 CONTACT: GOLD PLATED  
 OVER 50µ" NICKEL  
 NICKEL PLATED  
 NICKEL PLATED  
 ELECTRICAL  
 RATED CURRENT: 5A  
 RATED VOLTAGE: 125V  
 INSULATION RESISTANCE: 100 MOhms MIN.  
 CONTACT RESISTANCE: 10 mOhms MAX.  
 WATER PROOF: IP67  
 ENVIRONMENT  
 OPERATION TEMPERATURE: -40°C TO +85°C



PANEL CUTOUT



NUT

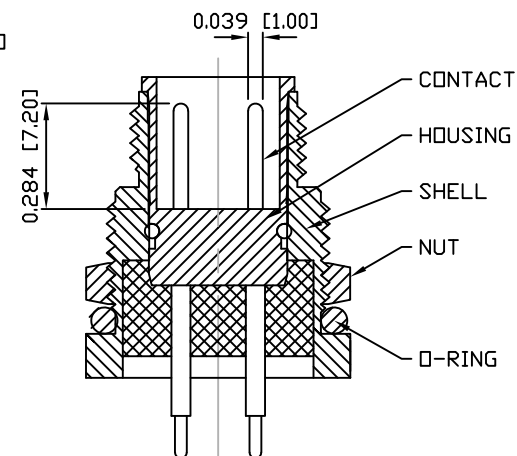


PLC LAYOUT

860-004-113R00Y

3 = BRASS/NICKEL SHELL & NUT  
 S = STAINLESS STEEL SHELL & NUT

1 = GOLD FLASH  
 4 = 10µ" GOLD



RoHS COMPLIANT

DO NOT SCALE FROM DRAWING



THESE DRAWINGS AND SPECIFICATIONS ARE THE PROPERTY OF NorComp AND SHALL NOT BE REPRODUCED, COPIED OR USED AS THE BASIS FOR THE MANUFACTURE OR SALE OF APPARATUS WITHOUT WRITTEN PERMISSION.

DRAWN:

M. SIGMON

DATE:

03-07-16

NorComp

SCALE: NTS

SHEET 1 OF 1

REV 2

DWG NO.

860-004-113R00Y