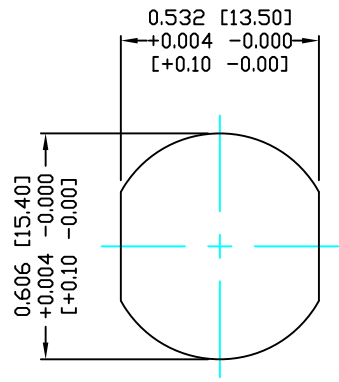
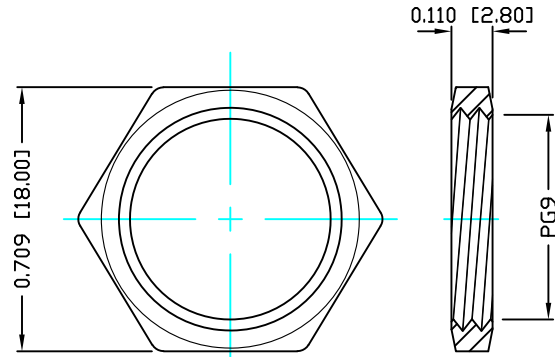


DESCRIPTION: M12 FEMALE - PANEL MOUNT (REAR) - 3 POS.



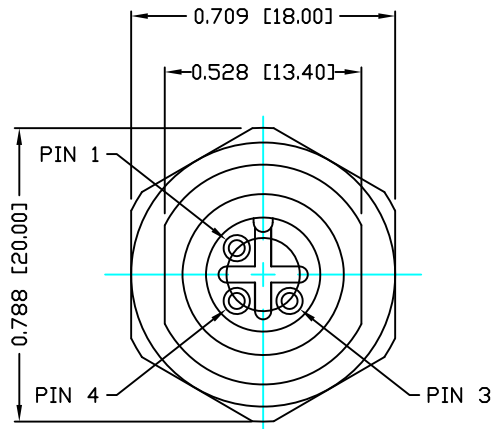
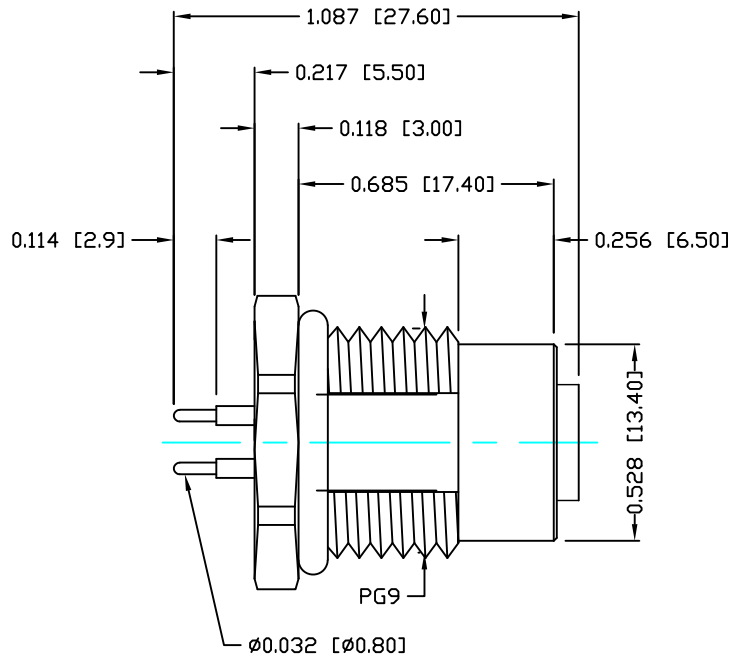
PANEL CUTOUT



NUT

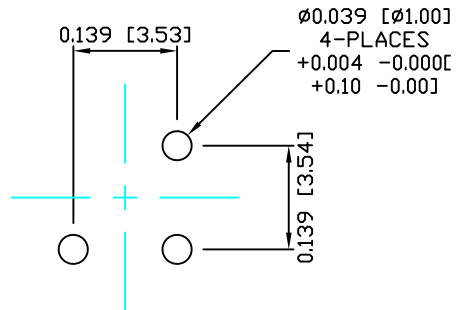
NOTE:

MATERIAL
 HOUSING: PBT UL94V-0, BLACK
 CONTACT: BRASS
 NUT: BRASS
 SHELL: BRASS
 O-RING: EPDM, BLACK
 FINISH
 CONTACT: GOLD PLATED OVER 50µ" NICKEL
 NUT: NICKEL PLATED
 SHELL: NICKEL PLATED
 ELECTRICAL
 RATED CURRENT: 5A
 RATED VOLTAGE: 125V
 INSULATION RESISTANCE: 100 MΩhms MIN.
 CONTACT RESISTANCE: 10 MΩhms MAX.
 WATER PROOF: IP67
 ENVIRONMENT
 OPERATION TEMPERATURE: -40°C TO +85°C



860-003-213R00Y

1 = GOLD FLASH
 4 = 10µ" GOLD



PLC LAYOUT

RoHS COMPLIANT

DO NOT SCALE FROM DRAWING

	THESE DRAWINGS AND SPECIFICATIONS ARE THE PROPERTY OF NorComp AND SHALL NOT BE REPRODUCED, COPIED OR USED AS THE BASIS FOR THE MANUFACTURE OR SALE OF APPARATUS WITHOUT WRITTEN PERMISSION.	DRAWN: M. SIGMON	DATE: 03-07-16		SCALE: N.T.S.	SHEET 1 OF 1	REV 2
		CHECKED:	DATE:		DWG NO. 860-003-213R00Y		