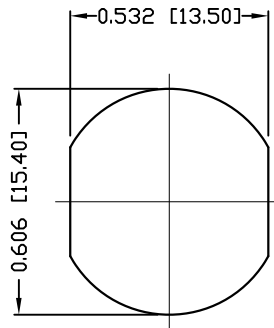
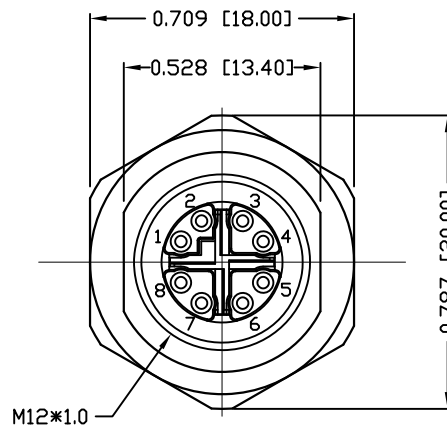
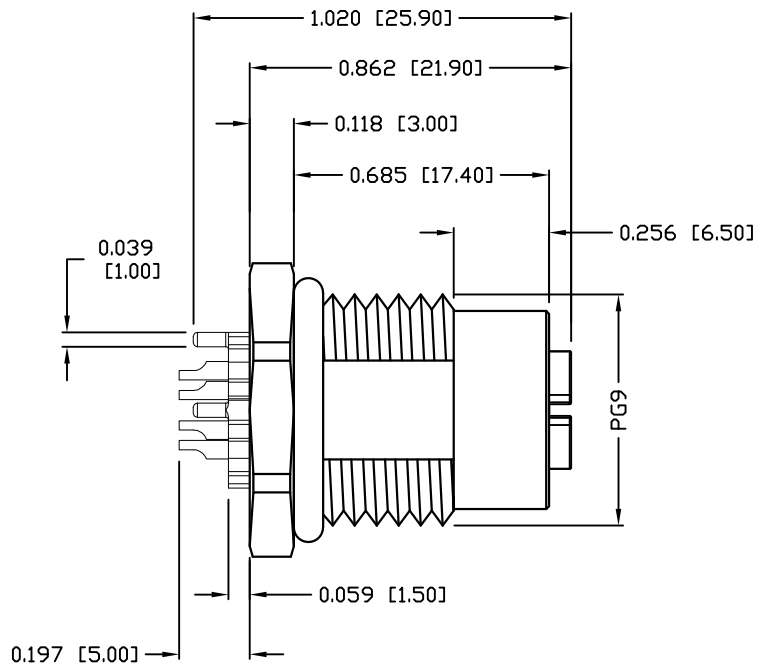


NUT



RECOMMEND PANEL CUT-OUT



NOTE:

MATERIAL	
HOUSING:	PA66 UL94V-0, BLACK
CONTACT:	BRASS
NUT:	BRASS
SHELL:	BRASS
O-RING:	EPDM, BLACK
X-SHELL:	ZINC ALLOY
FINISH	
CONTACT:	GOLD 10 μ MIN. OVER 50 μ NICKEL
NUT:	NICKEL PLATED
SHELL:	NICKEL PLATED
X-SHELL:	NICKEL PLATED
ELECTRICAL	
RATED CURRENT:	0.5A
RATED VOLTAGE:	48V
INSULATION RESISTANCE:	100 M Ω hms MIN.
CONTACT RESISTANCE:	10 M Ω hms MAX.
WATER PROOF:	IP67
ENVIRONMENT	
OPERATION TEMPERATURE:	-40°C TO +85°C

RoHS COMPLIANT

DO NOT SCALE FROM DRAWING



THESE DRAWINGS AND SPECIFICATIONS ARE THE PROPERTY OF NorComp AND SHALL NOT BE REPRODUCED, COPIED OR USED AS THE BASIS FOR THE MANUFACTURE OR SALE OF APPARATUS WITHOUT WRITTEN PERMISSION.

DRAWN:
M. SIGMON

DATE:
04-24-17

CHECKED:

DATE:

NorComp

SCALE:
N.T.S.

SHEET OF
1 1

REV
1

DWG NO.

859-X08-203R004