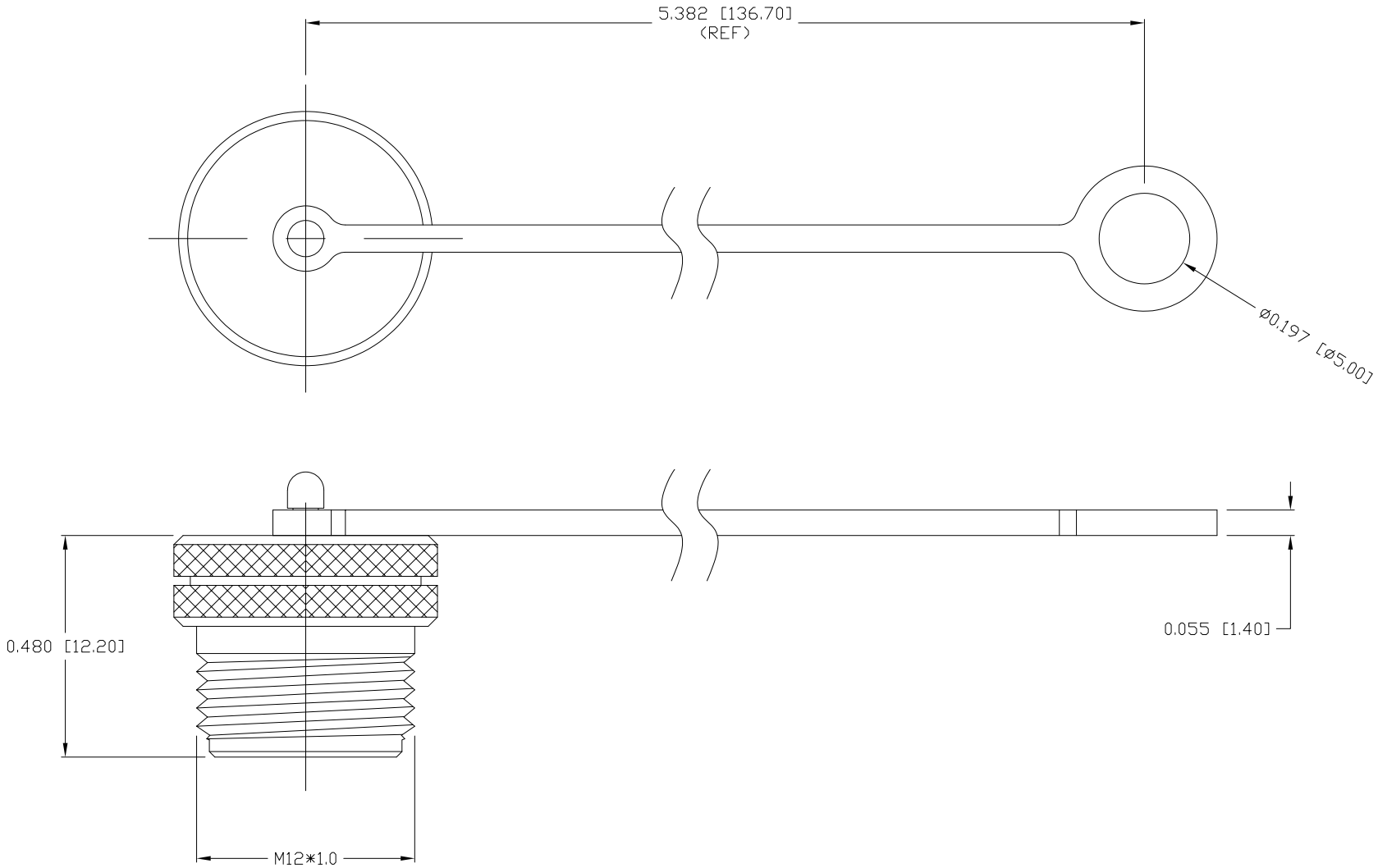


DESCRIPTION: M12 FEMALE DUST COVER WITH TETHER

SPECIFICATIONS:

COVER/NUT: NICKEL PLATED BRASS
SCREW: PVC
TETHER: PVC

USED WITH M12 FEMALE IP67 CIRCULAR CONNECTORS



RoHS COMPLIANT

UNITS = inch [mm]

DO NOT SCALE FROM DRAWING



THESE DRAWINGS AND SPECIFICATIONS ARE THE PROPERTY OF NorComp AND SHALL NOT BE REPRODUCED, COPIED OR USED AS THE BASIS FOR THE MANUFACTURE OR SALE OF APPARATUS WITHOUT WRITTEN PERMISSION.

DRAWN:
M. SIGMON

DATE:
9/16/2015

NorComp

SCALE:
NTS

SHEET 1 OF 1

REV 1

DWG NO.

8582T3M-DC