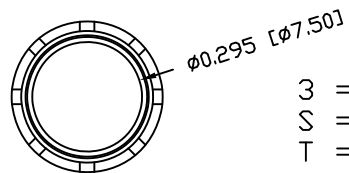
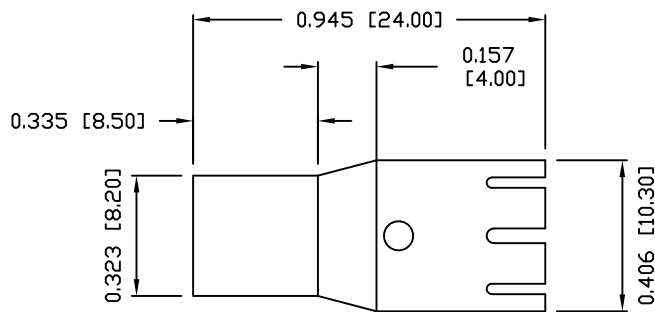
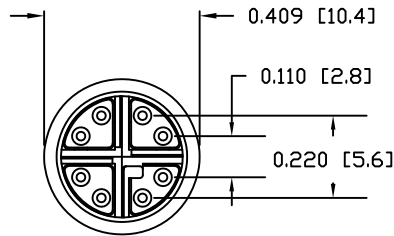
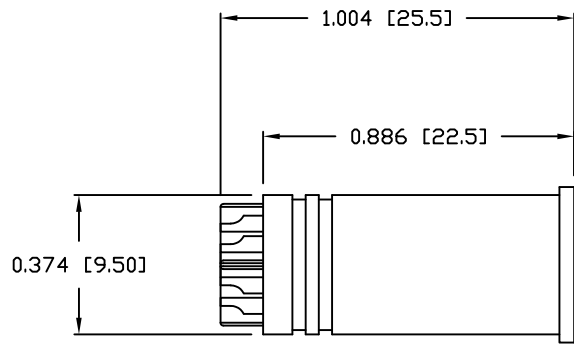
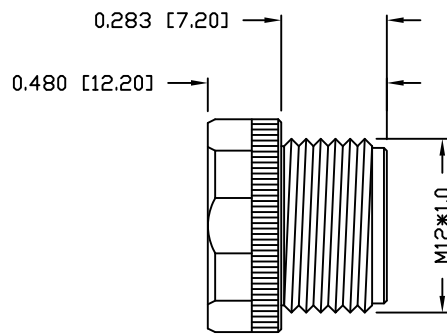


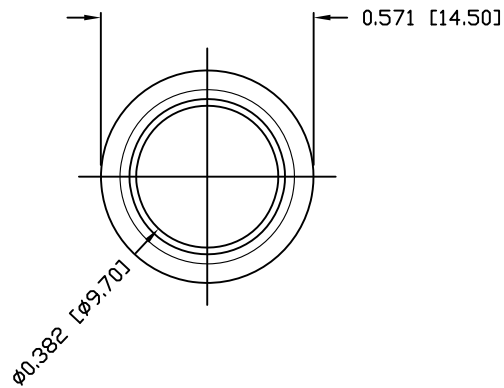
DESCRIPTION: M12 MALE - CABLE MOUNT SOLDER CUP - 8 POS. - X-CODE



BACK SHELL



NUT



NOTE:

MATERIAL

HOUSING: PBT UL94V-0, BLACK
 CONTACT: BRASS
 SHELL: ZINC ALLOY
 NUT: BRASS
 BACK SHELL: BRASS

FINISH

CONTACT: GOLD 10 μ MIN.
 OVER 50 μ NICKEL
 SHELL: NICKEL PLATED
 NUT: NICKEL PLATED
 BACK SHELL: NICKEL PLATED

ELECTRICAL

RATED CURRENT: 0.5A
 RATED VOLTAGE: 48V
 INSULATION RESISTANCE: 100 M Ω MIN.
 CONTACT RESISTANCE: 10 m Ω MAX.
 WATER PROOF: IP67

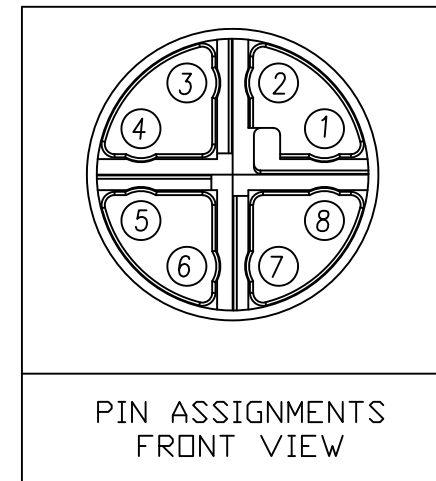
ENVIRONMENT

OPERATION TEMPERATURE: -40°C TO +85°C
 WIRE GAUGE: 24-28 AWG

858-X08-103RLS4

3 = BRASS/NICKEL (B/N) SHELL & NUT
 S = STAINLESS STEEL (SS) SHELL & NUT
 T = B/N SHELL / SS NUT

1 = GOLD FLASH
 4 = 10 μ GOLD



PIN ASSIGNMENTS
FRONT VIEW

RoHS COMPLIANT

DO NOT SCALE FROM DRAWING



THESE DRAWINGS AND SPECIFICATIONS ARE THE PROPERTY OF NorComp AND SHALL NOT BE REPRODUCED, COPIED OR USED AS THE BASIS FOR THE MANUFACTURE OR SALE OF APPARATUS WITHOUT WRITTEN PERMISSION.

DRAWN:

M. SIGMON

DATE:

08-12-16

NorComp

SCALE:

NTS

SHEET

1

OF

1

REV

4

DWG NO.

858-X08-103RLS4