

**SPECIFICATIONS:**

**MATERIALS:**

HOUSING: PBT, UL94 V-0, BLACK  
 CONTACTS: GOLD PLATED BRASS (SEE P/N KEY BELOW)  
 NUT: NICKEL PLATED BRASS  
 ORING: EPDM, BLACK

**ELECTRICAL:**

RATED CURRENT: 4A  
 RATED VOLTAGE: 250V  
 INSULATION RESISTANCE: 100 MOhms MIN.  
 CONTACT RESISTANCE: 10 mOhms MAX.

**ENVIRONMENT:**

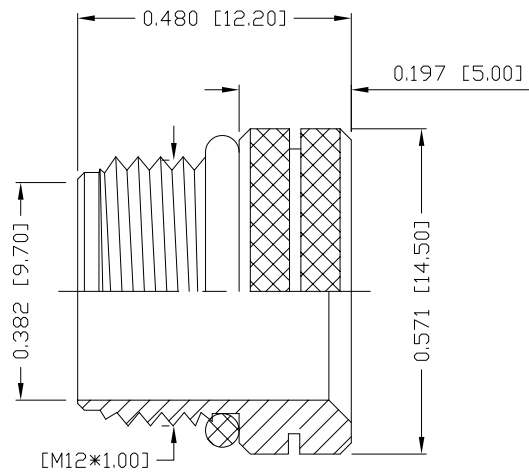
OPERATING TEMPERATURE: -40°C TO +85°C  
 WATER PROOF: IP67

MAX WIRE AWG: 22

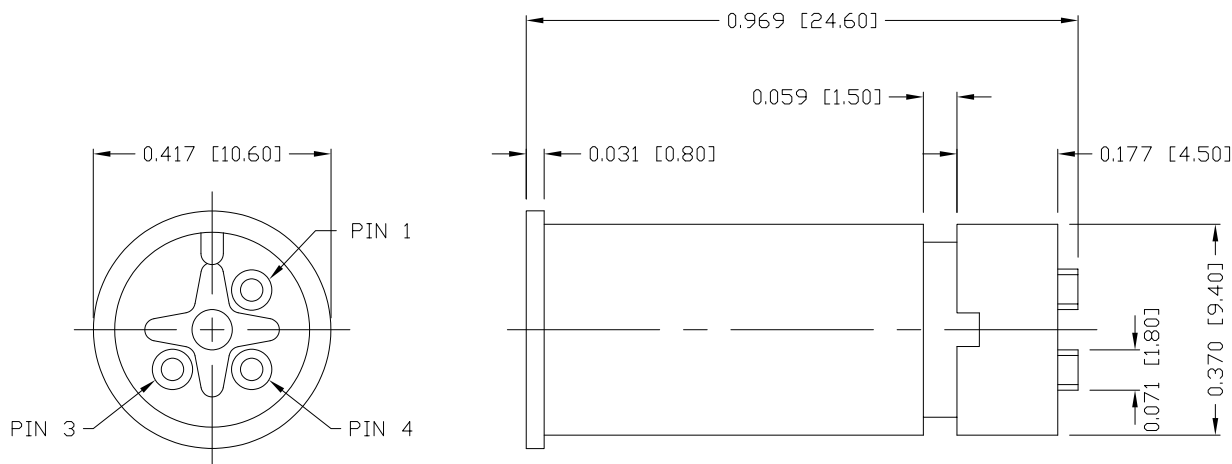
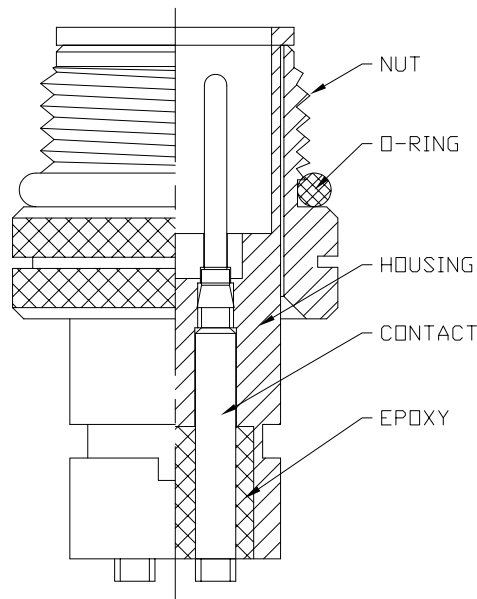
**NORCOMP MATING PART NUMBERS:**

- 858-L03-203RKT4\*
- 858-R03-203RSS4\*
- 858-R03-203RSU4\*
- 859-L03-203R004\*
- 860-003-213R004\*
- 861-L03-213R004\*

\*Also all material and contact plating variants



NUT



**858-R03-103RLUY**

3 = BRASS/NICKEL NUT  
 S = STAINLESS STEEL NUT

1 = GOLD FLASH  
 4 = 10u" GOLD

**RoHS COMPLIANT**

UNITS = inch [mm]

**DO NOT SCALE FROM DRAWING**



THESE DRAWINGS AND SPECIFICATIONS ARE THE PROPERTY OF NorComp AND SHALL NOT BE REPRODUCED, COPIED OR USED AS THE BASIS FOR THE MANUFACTURE OR SALE OF APPARATUS WITHOUT WRITTEN PERMISSION.

DRAWN:  
**M. SIGMON**

DATE:  
 03/07/2016

**NorComp**

SCALE:  
 NTS

SHEET 1 OF 1

REV 5

DWG NO.

**858-R03-103RLUY**