

SPECIFICATIONS:

MATERIALS:

HOUSING: PA66, UL94 V-0, BLACK
 CONTACTS: GOLD PLATED BRASS (SEE P/N KEY BELOW)
 NUT: (SEE P/N KEY BELOW)
 SHELL: (SEE P/N KEY BELOW)
 ORING: EPDM

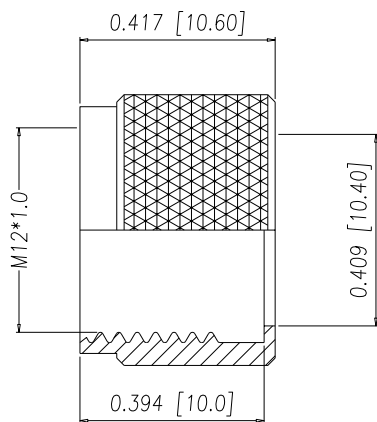
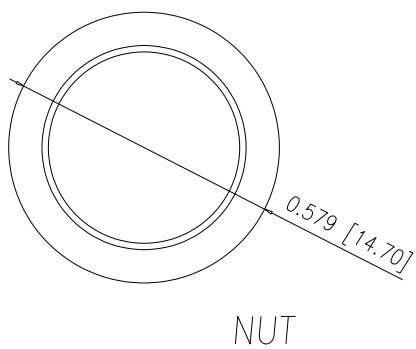
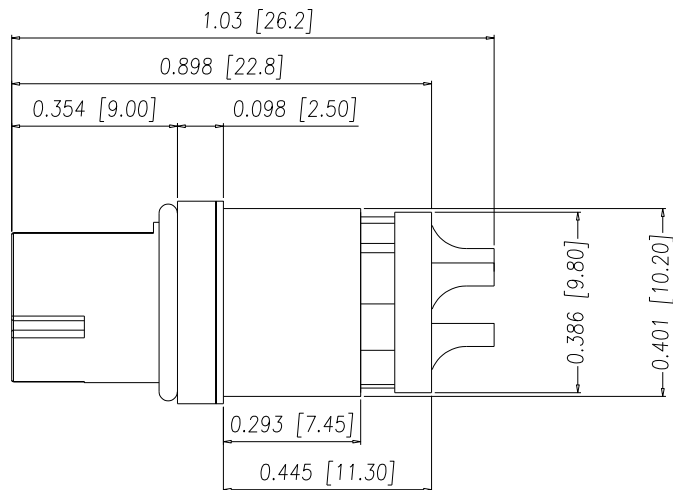
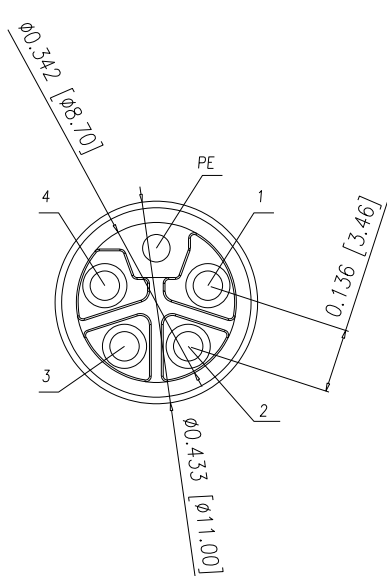
ELECTRICAL:

RATED CURRENT: 16A
 RATED VOLTAGE: 63V
 INSULATION RESISTANCE: 100 MOhms MIN.
 CONTACT RESISTANCE: 10 mOhms MAX.

ENVIRONMENT:

OPERATING TEMPERATURE: -40°C TO +105°C
 WATER PROOF: IP67

MAX WIRE AWG: 14



858-LP5-203RLSY

3 = BRASS/TIN (B/T) SHELL & NUT
 S = STAINLESS STEEL (SS) SHELL & NUT
 T = B/T SHELL & SS NUT

1 = GOLD FLASH
 4 = 10µ" GOLD

Full stainless steel variant successfully passes 96-hour salt spray testing per ASTM B117

RoHS COMPLIANT

UNITS = INCHES [MM] **DO NOT SCALE FROM DRAWING**



THESE DRAWINGS AND SPECIFICATIONS ARE THE PROPERTY OF NorComp AND SHALL NOT BE REPRODUCED, COPIED OR USED AS THE BASIS FOR THE MANUFACTURE OR SALE OF APPARATUS WITHOUT WRITTEN PERMISSION.

DRAWN: J. KADEL
 DATE: 08/01/2018

NorComp

SCALE: NTS SHEET 1 OF 1 REV 6

DWG NO. 858-LP5-203RLS4