

DESCRIPTION: M12 FEMALE - CABLE MOUNT - SOLDER CUP - 4 POS. - D CODE

NOTE:

MATERIAL

HOUSING: TPU UL94V-0, BLACK
 CONTACT: BRASS
 NUT: BRASS
 O-RING: EPDM

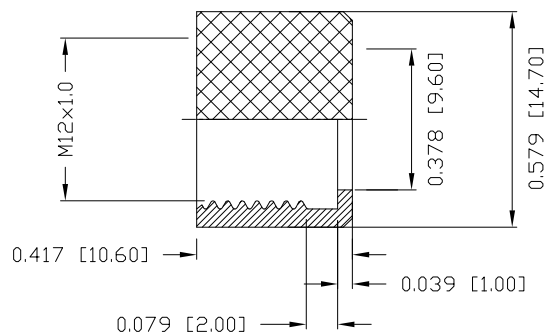
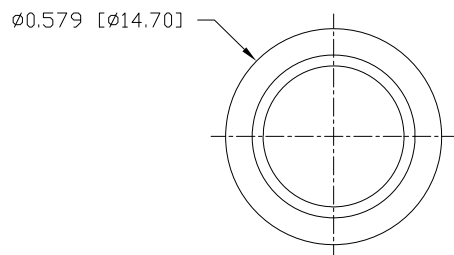
FINISH

CONTACT: GOLD PLATED
 OVER 50µ" NICKEL
 NICKEL PLATED

NUT:

ELECTRICAL

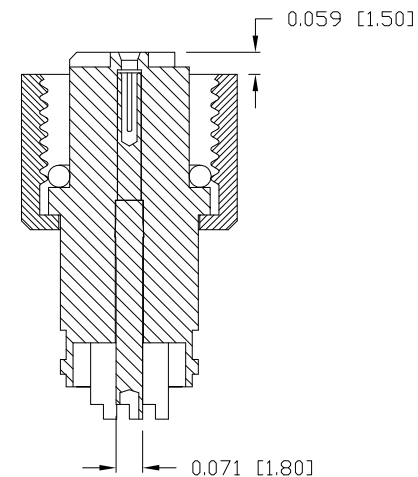
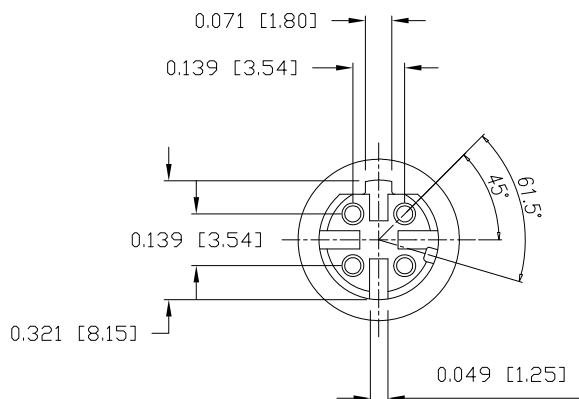
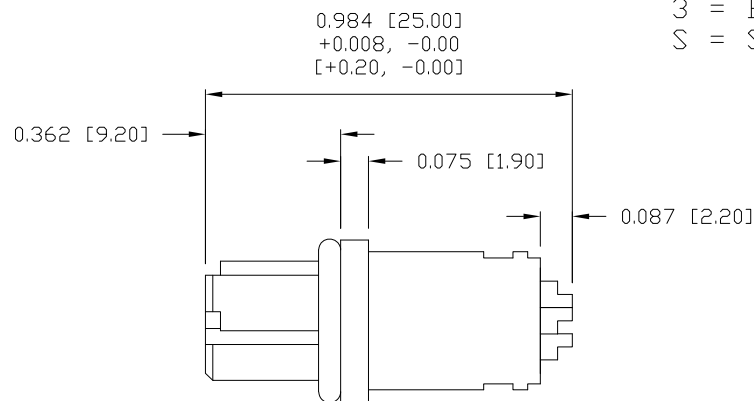
RATED CURRENT: 5A
 RATED VOLTAGE: 125V
 INSULATION RESISTANCE: 100 MΩhms MIN.
 CONTACT RESISTANCE: 10 mΩhms MAX.
 WATER PROOF: IP67
 ENVIRONMENT
 OPERATION TEMPERATURE: -40°C TO +85°C



858-D04-203RSUY

3 = BRASS/NICKEL NUT
 S = STAINLESS STEEL NUT

1 = GOLD FLASH
 4 = 10µ" GOLD



RoHS COMPLIANT

DO NOT SCALE FROM DRAWING



THESE DRAWINGS AND SPECIFICATIONS ARE THE PROPERTY OF NorComp AND SHALL NOT BE REPRODUCED, COPIED OR USED AS THE BASIS FOR THE MANUFACTURE OR SALE OF APPARATUS WITHOUT WRITTEN PERMISSION.

DRAWN:

M. SIGMON

DATE:

03-07-16

NorComp

SCALE: NTS

SHEET 1 OF 1

REV 3

DWG NO.

858-D04-203RSUY