

DESCRIPTION: M12 FEMALE - CABLE MOUNT - SOLDER CUP - 4 POS. - D CODE

NOTE:

MATERIAL

HOUSING: TPU UL94V-0, BLACK  
 CONTACT: BRASS  
 NUT: BRASS  
 O-RING: EDPM  
 SHELL: BRASS

FINISH

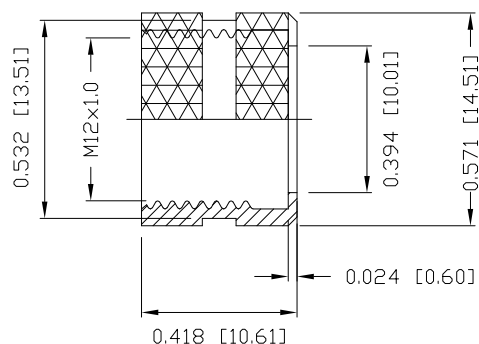
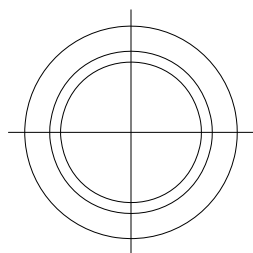
CONTACT: GOLD PLATED  
 OVER 50µ" NICKEL  
 NUT: NICKEL PLATED  
 SHELL: NICKEL PLATED

ELECTRICAL

RATED CURRENT: 5A  
 RATED VOLTAGE: 125V  
 INSULATION RESISTANCE: 100 MΩhms MIN.  
 CONTACT RESISTANCE: 10 mΩhms MAX.  
 WATER PROOF: IP67

ENVIRONMENT

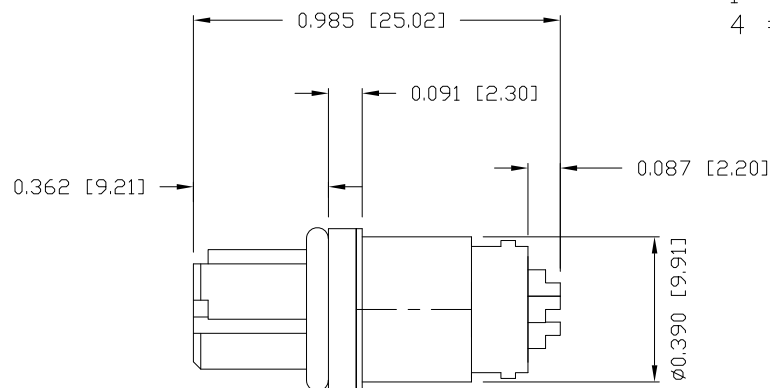
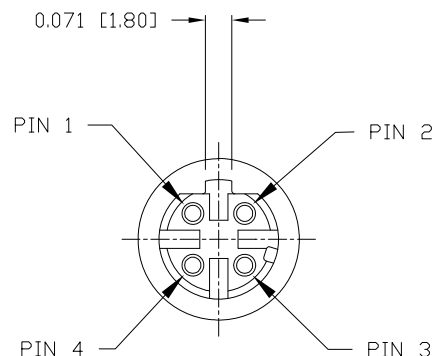
OPERATION TEMPERATURE: -40°C TO +85°C



858-D04-203RSSY

3 = BRASS/NICKEL (B/N) SHELL & NUT  
 S = STAINLESS STEEL (SS) SHELL & NUT  
 T = B/N SHELL / SS NUT

1 = GOLD FLASH  
 4 = 10µ" GOLD



RoHS COMPLIANT

DO NOT SCALE FROM DRAWING



THESE DRAWINGS AND SPECIFICATIONS ARE THE PROPERTY OF NorComp AND SHALL NOT BE REPRODUCED, COPIED OR USED AS THE BASIS FOR THE MANUFACTURE OR SALE OF APPARATUS WITHOUT WRITTEN PERMISSION.

DRAWN:

M. SIGMON

DATE:

05-13-16

NorComp

SCALE: NTS

SHEET 1 OF 1

REV 2

DWG NO.

858-D04-203RSSY