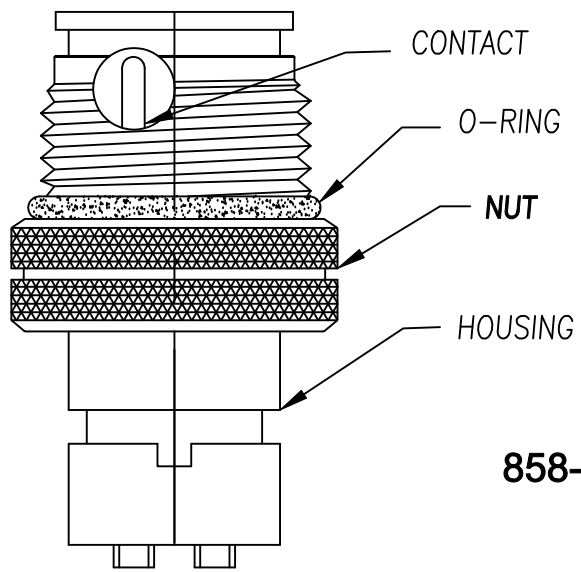
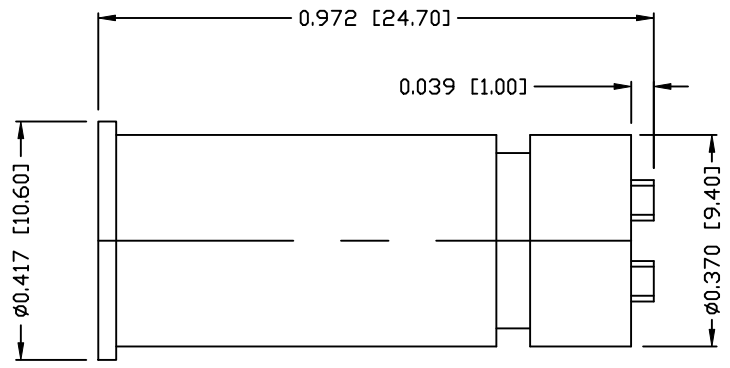


DESCRIPTION: M12 MALE - CABLE MOUNT - 4 POS. - D CODE

UNITS = INCHES [MM]

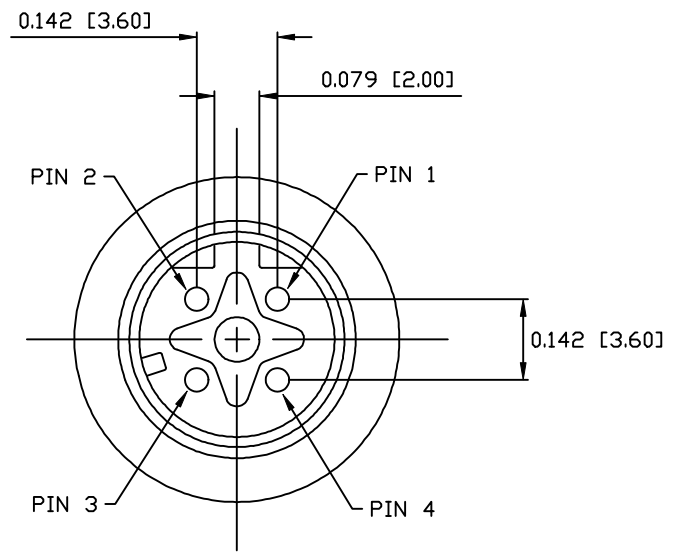
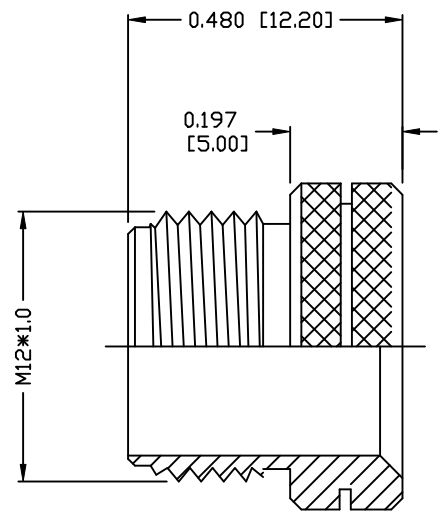
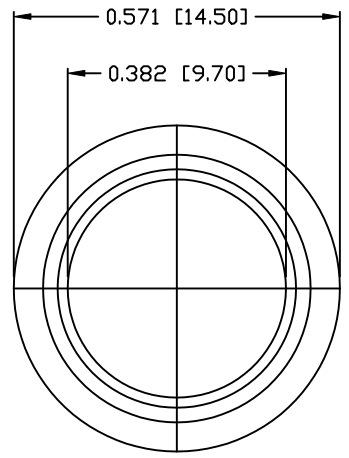
NOTE:

MATERIAL  
 HOUSING: PBT UL94V-0, BLACK  
 CONTACT: BRASS  
 NUT: BRASS  
 O-RING: EPDM, BLACK  
 FINISH  
 CONTACT: GOLD PLATED  
 OVER 50µ" NICKEL  
 NICKEL PLATED  
 NUT:  
 ELECTRICAL  
 RATED CURRENT: 5A  
 RATED VOLTAGE: 125V  
 INSULATION RESISTANCE: 100 MΩhms MIN.  
 CONTACT RESISTANCE: 10 MΩhms MAX.  
 WATER PROOF: IP67  
 ENVIRONMENT  
 OPERATION TEMPERATURE: -40°C TO +85°C  
 WIRE GAUGE: 24-28 AWG



858-D04-103RSUY

1 = GOLD FLASH  
 4 = 10µ" GOLD



RoHS COMPLIANT

DO NOT SCALE FROM DRAWING



THESE DRAWINGS AND SPECIFICATIONS ARE THE PROPERTY OF NorComp AND SHALL NOT BE REPRODUCED, COPIED OR USED AS THE BASIS FOR THE MANUFACTURE OR SALE OF APPARATUS WITHOUT WRITTEN PERMISSION.

DRAWN: M. SIGMON  
 DATE: 05-13-16  
 CHECKED:  
 DATE:

NorComp

SCALE: N.T.S.  
 SHEET 1 OF 1  
 REV 1  
 DWG NO. 858-D04-103RSUY