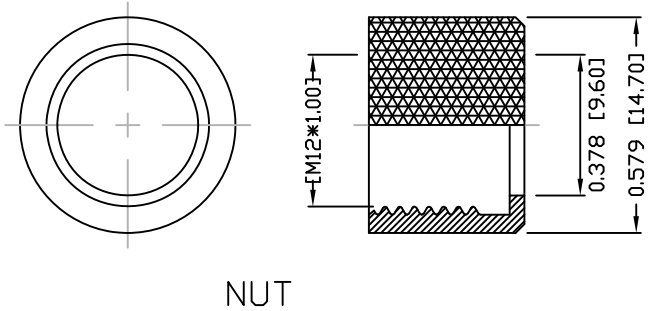
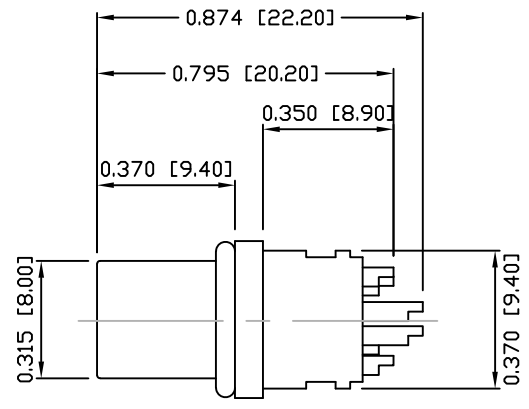
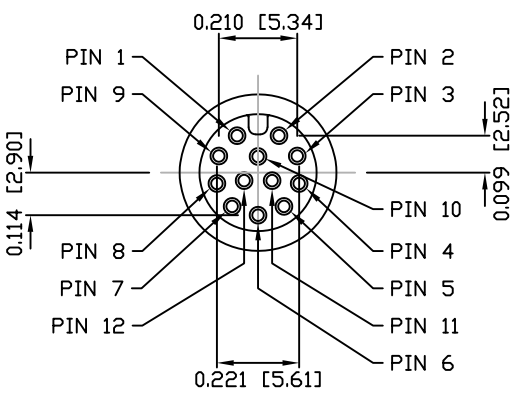


DESCRIPTION: M12 FEMALE - CABLE MOUNT - SOLDER CUP - 12 POS.



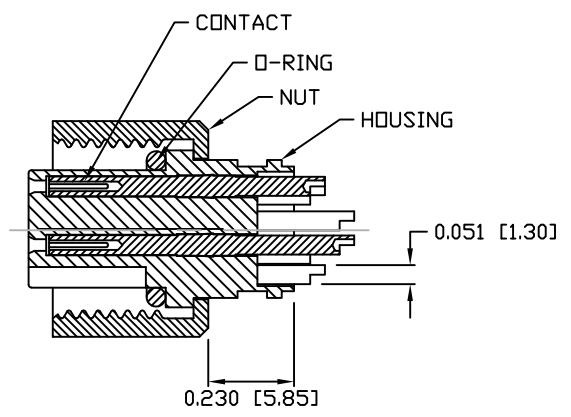
NUT

**NOTE:**  
**MATERIAL**  
 HOUSING: PBT UL94V-0, BLACK  
 CONTACT: BRASS  
 NUT: BRASS  
 O-RING: EPDM, BLACK  
**FINISH**  
 CONTACT: GOLD PLATED  
           OVER 50 $\mu$  NICKEL  
 NUT: NICKEL PLATED  
 SHELL: NICKEL PLATED  
**ELECTRICAL**  
 RATED CURRENT: 1A  
 RATED VOLTAGE: 30V  
 INSULATION RESISTANCE: 100 M $\Omega$ hms MIN.  
 CONTACT RESISTANCE: 10 m $\Omega$ hms MAX.  
 WATER PROOF: IP67  
**ENVIRONMENT**  
 OPERATION TEMPERATURE: -40°C TO +85°C  
 WIRE GAUGE: 24-28 AWG



**858-012-203RSUY**

- 3 = BRASS/NICKEL NUT
- S = STAINLESS STEEL NUT
- 1 = GOLD FLASH
- 4 = 10 $\mu$  GOLD



**RoHS COMPLIANT**

DO NOT SCALE FROM DRAWING

	THESE DRAWINGS AND SPECIFICATIONS ARE THE PROPERTY OF NorComp AND SHALL NOT BE REPRODUCED, COPIED OR USED AS THE BASIS FOR THE MANUFACTURE OR SALE OF APPARATUS WITHOUT WRITTEN PERMISSION.	DRAWN:	DATE:	<b>NorComp</b>	SCALE:	SHEET	OF	REV
		M. SIGMON	03-08-16		NTS	1	1	3
					DWG NO.	<b>858-012-203RSUY</b>		