

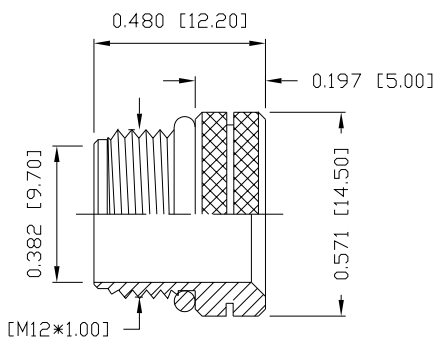
DESCRIPTION: M12 MALE - CABLE MOUNT - SOLDER CUP - 12 POS.

SPECIFICATIONS:

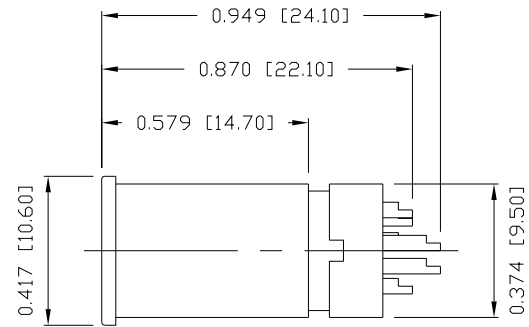
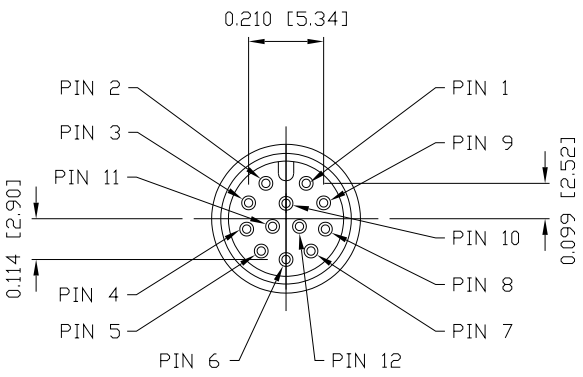
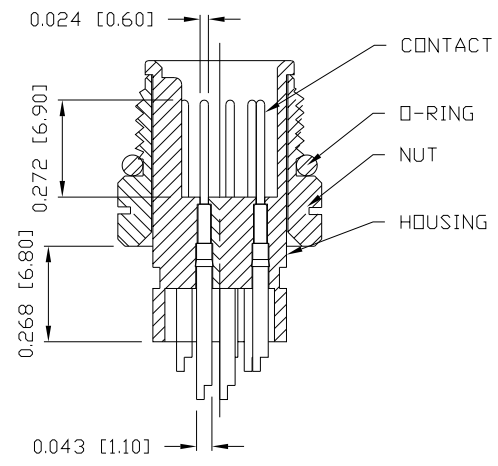
MATERIALS:
 HOUSING: PBT, UL94 V-0, BLACK
 CONTACTS: GOLD PLATED BRASS (SEE P/N KEY BELOW)
 NUT: (SEE P/N KEY BELOW)
 ORING: EPDM

ELECTRICAL:
 RATED CURRENT: 1.5A
 RATED VOLTAGE: 30V
 INSULATION RESISTANCE: 100 MOhms MIN.
 CONTACT RESISTANCE: 10 mOhms MAX.

ENVIRONMENT:
 OPERATING TEMPERATURE: -40°C TO +85°C
 WATER PROOF: IP67
 MAX WIRE AWG: 24



NUT



858-012-103RLUY

- 3 = BRASS/NICKEL NUT
- S = STAINLESS STEEL NUT
- 1 = GOLD FLASH
- 4 = 10µ" GOLD

Full stainless steel variant successfully passes 96-hour salt spray testing per ASTM B117

RoHS COMPLIANT

UNITS = inch [mm] **DO NOT SCALE FROM DRAWING**

NC THESE DRAWINGS AND SPECIFICATIONS ARE THE PROPERTY OF NorComp AND SHALL NOT BE REPRODUCED, COPIED OR USED AS THE BASIS FOR THE MANUFACTURE OR SALE OF APPARATUS WITHOUT WRITTEN PERMISSION.

DRAWN: **M. SIGMON**
 DATE: **03/08/2016**

NorComp

SCALE: **NTS** SHEET **1** OF **1** REV **6**

DWG NO. **858-012-103RLUY**