

DESCRIPTION: M12 MALE - CABLE MOUNT - 12 POS.

UNITS = INCHES [MM]

NOTE:

MATERIAL

HOUSING:	PBT UL94V-0, BLACK
CONTACT:	BRASS
NUT:	ALUMINUM ALLOY
SHELL:	ALUMINUM ALLOY
O-RING:	EPDM, BLACK
MAIN BODY:	ALUMINUM ALLOY
GLAND:	SILICONE, BLACK
GLAND CAGE:	POM, BLACK
GLAND NUT:	ALUMINUM ALLOY

FINISH

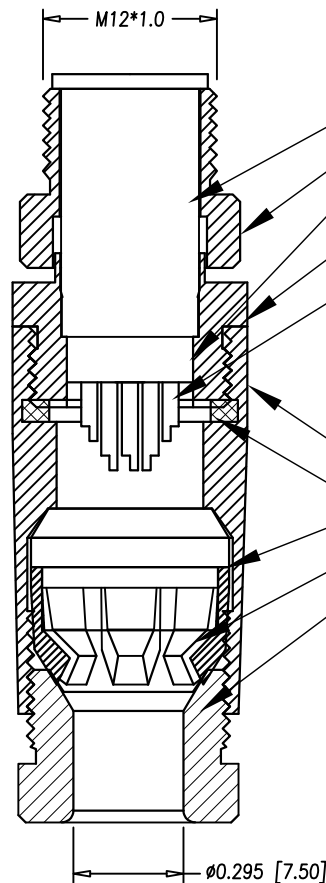
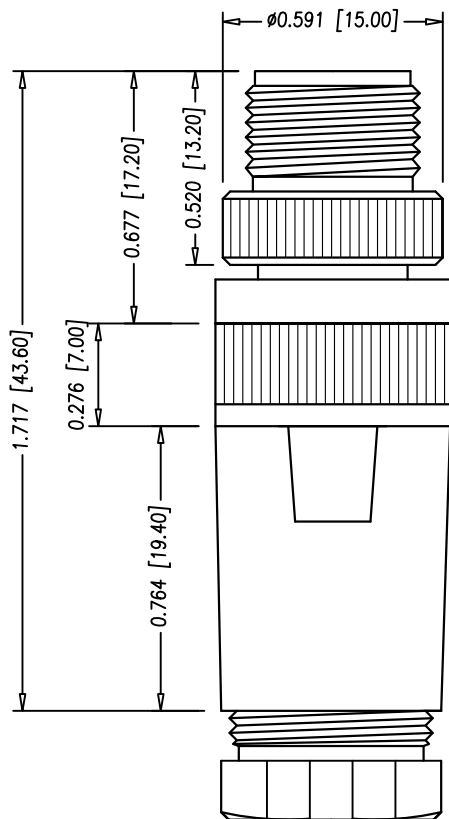
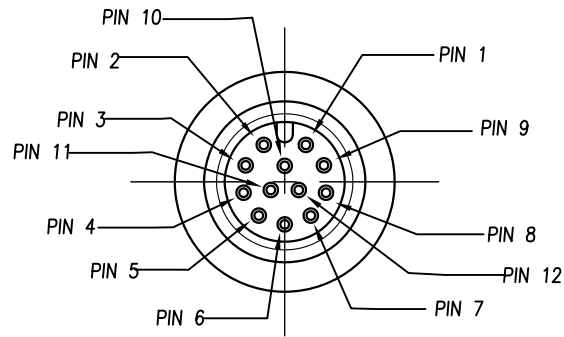
CONTACT:	GOLD PLATED OVER 50 $\mu$ NICKEL
NUT:	NICKEL PLATED
SHELL:	NICKEL PLATED
MAIN BODY:	NICKEL PLATED
GLAND NUT:	NICKEL PLATED

ELECTRICAL

RATED CURRENT:	1A
RATED VOLTAGE:	30V
INSULATION RESISTANCE:	100 M $\Omega$ hms MIN.
CONTACT RESISTANCE:	10 m $\Omega$ hms MAX.
WATER PROOF:	IP67
ENVIRONMENT	
OPERATION TEMPERATURE:	-40°C TO +85°C
WIRE GAUGE:	24-28 AWG

858-012-103RKTY

1 = GOLD FLASH  
4 = 10 $\mu$ " GOLD



HOUSING  
NUT  
EPOXY  
SHELL  
CONTACT

Main Body  
RING  
Gland Cage  
Gland Nut

RoHS COMPLIANT

DO NOT SCALE FROM DRAWING



THESE DRAWINGS AND SPECIFICATIONS ARE THE PROPERTY OF NorComp AND SHALL NOT BE REPRODUCED, COPIED OR USED AS THE BASIS FOR THE MANUFACTURE OR SALE OF APPARATUS WITHOUT WRITTEN PERMISSION.

DRAWN:

M. SIGMON

DATE:

01-06-17

NorComp

SCALE:  
NTS

SHEET OF  
1 1

REV  
1

DWG NO.

858-012-103RKTY