

DESCRIPTION: M12 FEMALE - CABLE MOUNT - SOLDER CUP - 4 POS.

NOTE:

MATERIAL

HOUSING: PBT UL94V-0, BLACK  
 CONTACT: BRASS  
 NUT: BRASS  
 O-RING: EPDM, BLACK

FINISH

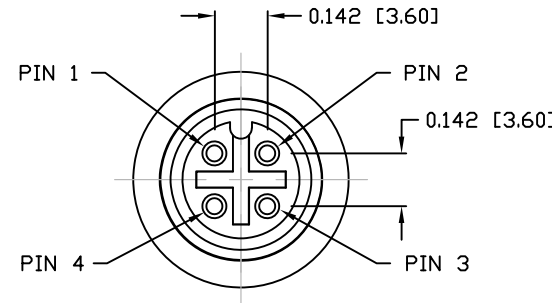
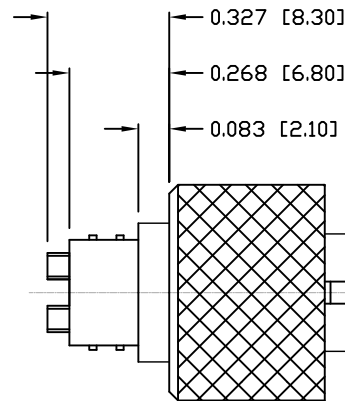
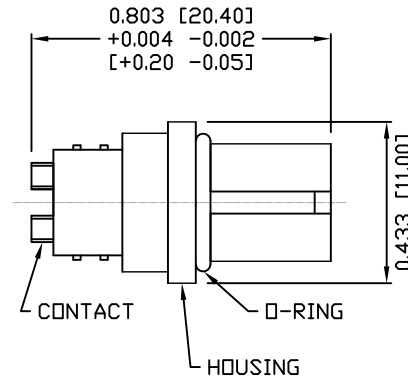
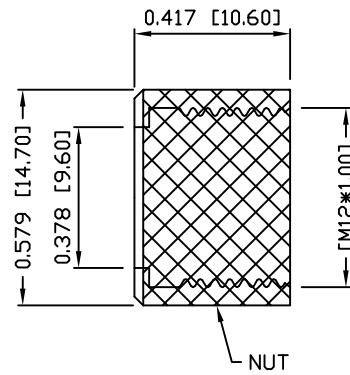
CONTACT: GOLD PLATED  
 UNDER PLATE: NICKEL  
 NUT: NICKEL PLATED  
 60µ" TO 100µ" OVER ALL

ELECTRICAL

RATED CURRENT: 5A  
 RATED VOLTAGE: 125V  
 INSULATION RESISTANCE: 100 MΩhms MIN.  
 CONTACT RESISTANCE: 10 mΩhms MAX.  
 WATER PROOF: IP67

ENVIRONMENT

OPERATION TEMPERATURE: -40°C TO +85°C  
 WIRE GAUGE: 24-28 AWG



858-004-203RSUY

3 = BRASS/NICKEL NUT  
 S = STAINLESS STEEL NUT

1 = GOLD FLASH  
 4 = 10µ" GOLD

RoHS COMPLIANT

DO NOT SCALE FROM DRAWING



THESE DRAWINGS AND SPECIFICATIONS ARE THE PROPERTY OF NorComp AND SHALL NOT BE REPRODUCED, COPIED OR USED AS THE BASIS FOR THE MANUFACTURE OR SALE OF APPARATUS WITHOUT WRITTEN PERMISSION.

DRAWN:

M. SIGMON

DATE:

03-07-16

NorComp

SCALE: NTS

SHEET 1 OF 1

REV 2

DWG NO.

858-004-203RSUY