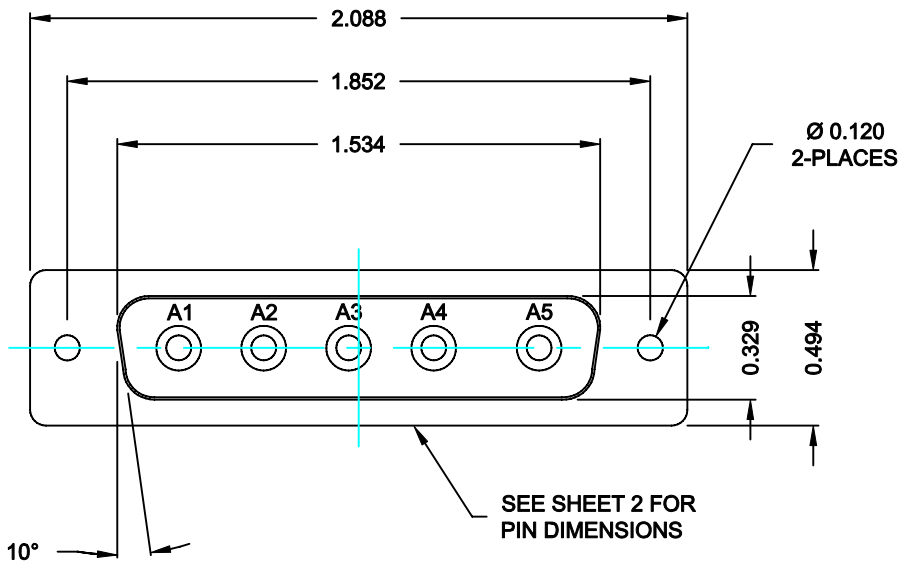


DESCRIPTION: POWER - VERTICAL BOARD - MALE



**SPECIFICATIONS:**

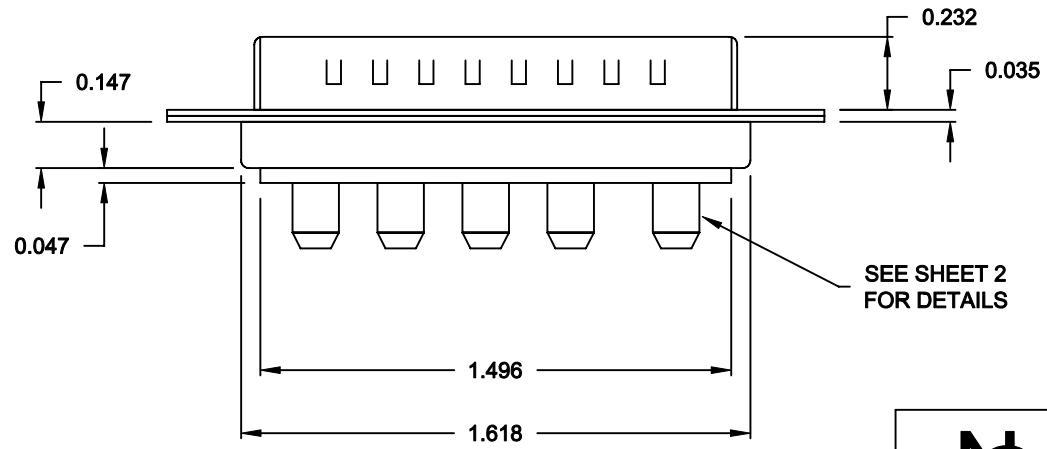
**ELECTRICAL:**  
 INSULATOR RESISTANCE: 5,000 MegOHMS Min.  
 DIELECTRIC WITHSTANDING: 1,000VAC r.m.s.  
 OPERATING TEMPERATURE: -55° C ~ +125° C  
 CONTACT RESISTANCE: 30 MilliOHMS Max.  
 POWER PINS: SEE PART No. BELOW

**MECHANICAL:**  
 CONTACT INSERTION FORCE: 4.5 Kg Max.  
 CONTACT SEPARATOR FORCE: 0.3Kg Min.


**MATERIALS:**  
 CONTACTS: BRASS  
 INSULATOR: PBT UL94V-0 RATED, 230°C PROCESS TEMP.  
 SHELL: STEEL  
 FINISH: NICKEL

**6815W5103L001**

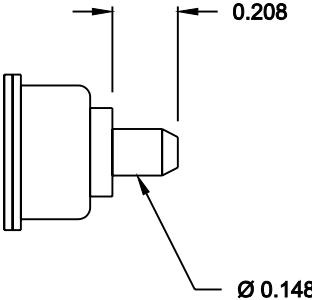
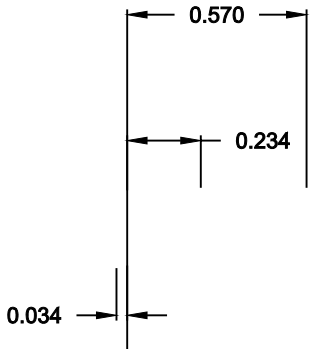
00 = 20 / 40 AMPS



**RoHS COMPLIANT**

	THESE DRAWINGS AND SPECIFICATIONS ARE THE PROPERTY OF NorComp AND SHALL NOT BE REPRODUCED, COPIED OR USED AS THE BASIS FOR THE MANUFACTURE OF SALE OF APPARATUS WITHOUT WRITTEN PERMISSION.		DRAWN: <b>C. SMITH</b>	DATE: <b>09-19-06</b>
			CHECKED: <b>X</b>	DATE: <b>X</b>
<b>NorComp</b>		SCALE: <b>N.T.S.</b>	SHEET <b>1</b> OF <b>2</b>	REV <b>0</b>
		DWG NO. <b>6815W5103L001</b>		

**NOTE:  
POWER CONTACTS COME  
PRE-LOADED INTO INSULATORS**



**RECOMMENDED PCB LAYOUT**

DRAWN: <b>C. SMITH</b>	DATE: <b>09-19-06</b>
CHECKED: <b>X</b>	DATE: <b>X</b>
SCALE:	SHEET OF

**WG NO. 6815W5103L001**