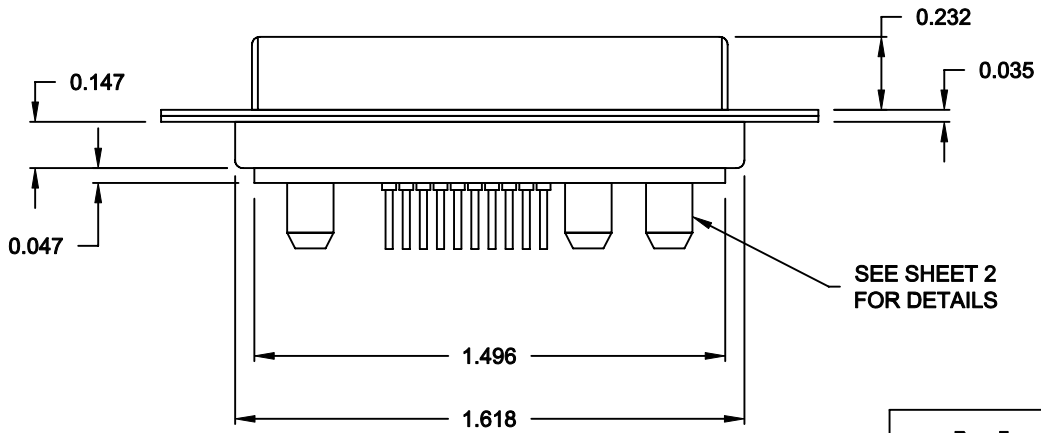
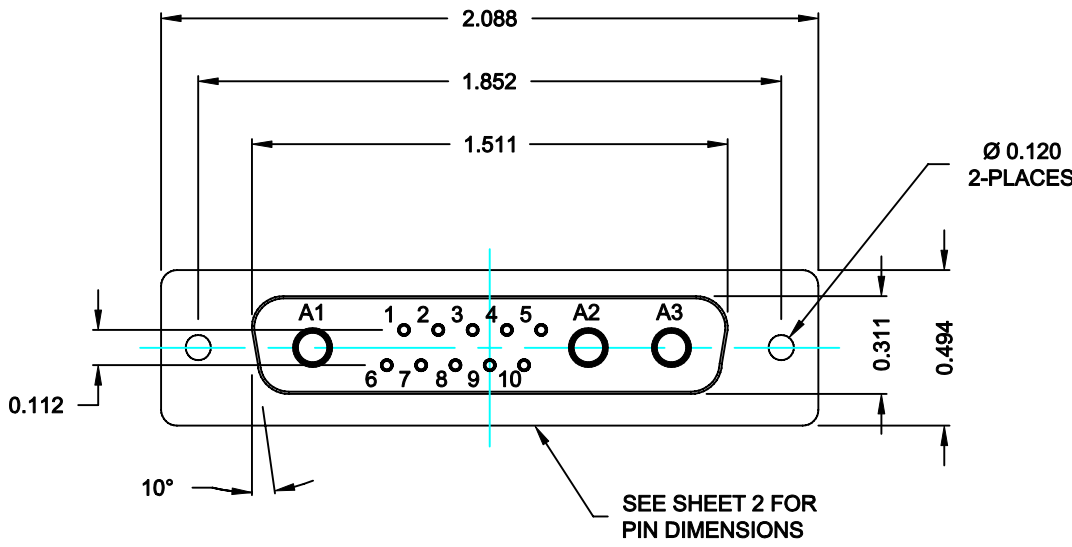


DESCRIPTION: POWER / SIGNAL - VERTICAL BOARD - FEMALE



SPECIFICATIONS:

ELECTRICAL:
 INSULATOR RESISTANCE: 5,000 MegOHMS Min.
 DIELECTRIC WITHSTANDING: 1,000VAC r.m.s.
 OPERATING TEMPERATURE: -55° C ~ +125° C
 CONTACT RESISTANCE: 30 MilliOHMS Max.
 POWER PINS: SEE PART No. BELOW
 SIGNAL PINS: 3 AMPS

MECHANICAL:
 CONTACT INSERTION FORCE: 4.5 Kg Max.
 CONTACT SEPARATOR FORCE: 0.3Kg Min.


MATERIALS:
 CONTACTS: BRASS
 INSULATOR: PBT UL94V-0 RATED,
 230°C PROCESS TEMP.
 SHELL: STEEL

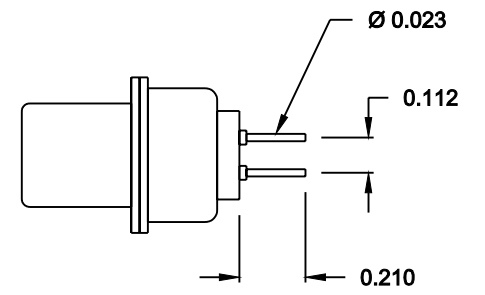
FINISH:
 SHELL: NICKEL

68113W3203L001

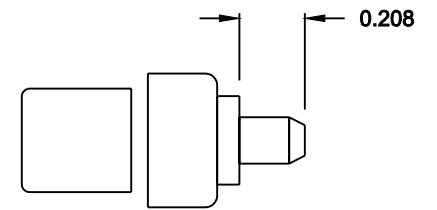
00 = 20 / 40 AMPS

RoHS COMPLIANT

	THESE DRAWINGS AND SPECIFICATIONS ARE THE PROPERTY OF NorComp AND SHALL NOT BE REPRODUCED, COPIED OR USED AS THE BASIS FOR THE MANUFACTURE OF SALE OF APPARATUS WITHOUT WRITTEN PERMISSION.		DRAWN: C. SMITH	DATE: 09-20-06
			CHECKED:	DATE:
NorComp		SCALE: N.T.S.	SHEET 1 OF 2	REV 1
		DWG NO. 68113W3203L001		



SIGNAL CONTACTS



S

RECOMMENDED PCB LAYOUT