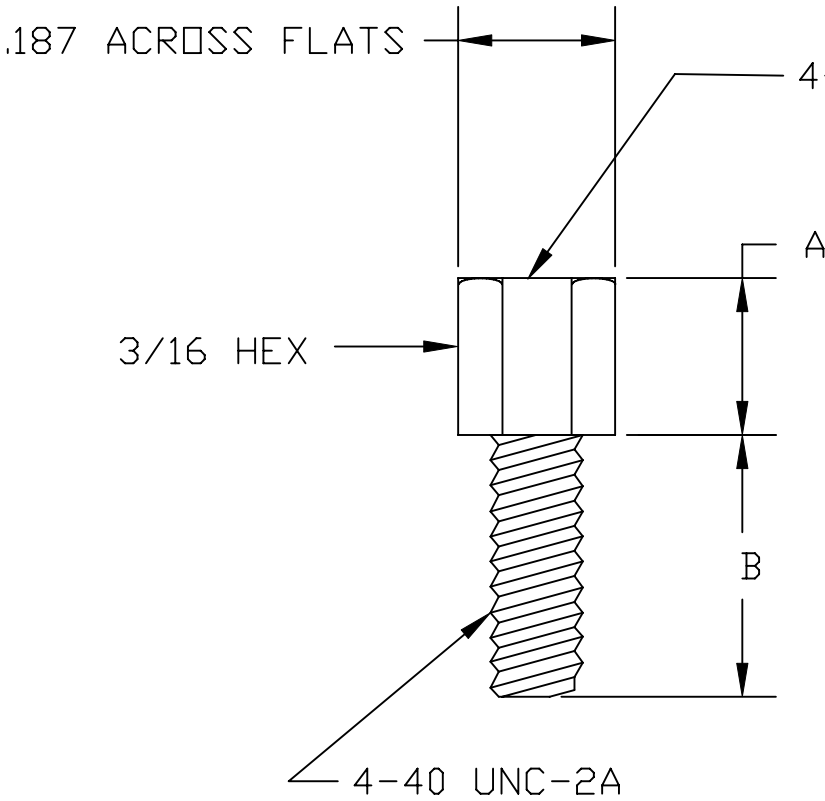



DESCRIPTION:



PART NUMBER	A ± .010	B ± .010	PLATING
SFS0-440-4-NR	.197	.197	NICKEL

MATERIAL: STEEL

RoHS COMPLIANT

	THESE DRAWINGS AND SPECIFICATIONS ARE THE PROPERTY OF NorComp AND SHALL NOT BE REPRODUCED, COPIED OR USED AS THE BASIS FOR THE MANUFACTURE OF SALE OF APPARATUS WITHOUT WRITTEN PERMISSION.		DRAWN: PAM JENKINS	DATE: 3-28-07
			CHECKED:	DATE:
<h1>NorComp</h1>		SCALE:	SHEET 1 OF 1	REV 0
		DWG NO. SFS0-440-4-NR		