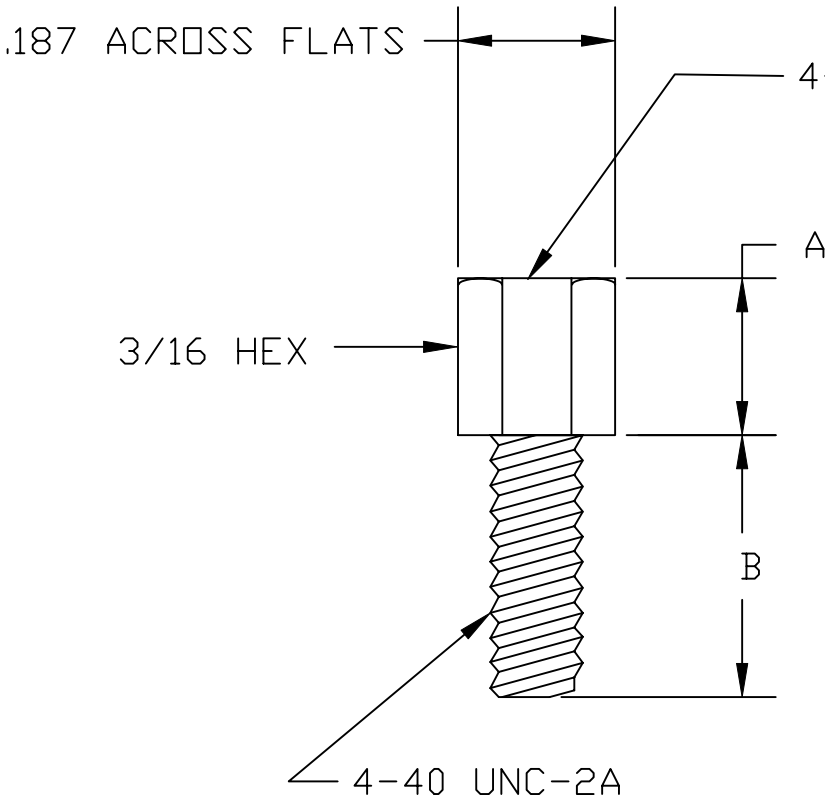



DESCRIPTION: 4-40 FEMALE SCREW LOCK



PART NUMBER	A ± .010	B ± .010	PLATING
SFS04401NR	.187	.312	NICKEL

MATERIAL: STEEL
 RoHS COMPLIANT
 TORQUE VALUE: 4-5 IN. LBS. MAX.

	THESE DRAWINGS AND SPECIFICATIONS ARE THE PROPERTY OF NorComp AND SHALL NOT BE REPRODUCED, COPIED OR USED AS THE BASIS FOR THE MANUFACTURE OF SALE OF APPARATUS WITHOUT WRITTEN PERMISSION.		DRAWN: PAM JENKINS	DATE: 8-8-05
			CHECKED:	DATE:
<h1>NorComp</h1>		SCALE:	SHEET 1 OF 1	REV 2
		DWG NO. SFS04401NR		