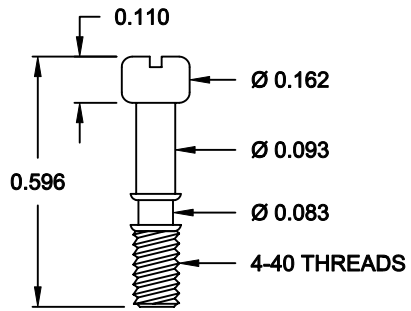
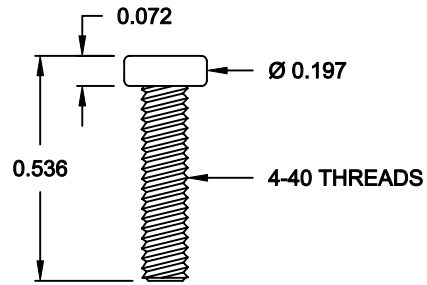


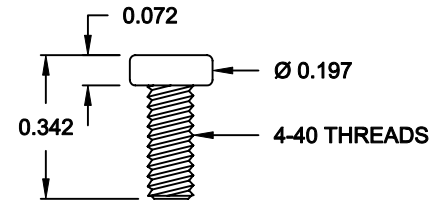
DESCRIPTION: **HARDWARE KIT FOR GPH 09**



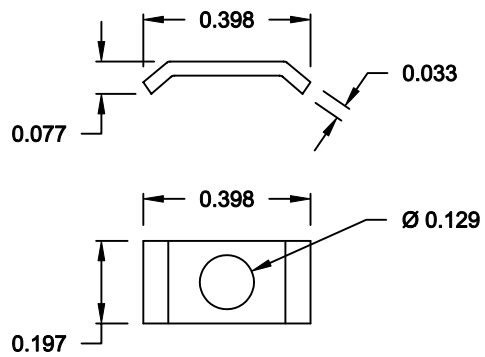
**JACKSCREWS
2-TOTAL**



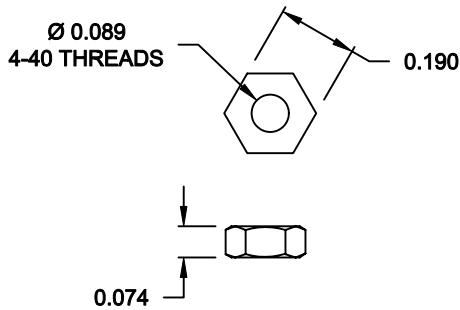
**HOUSING SCREWS
2-TOTAL**



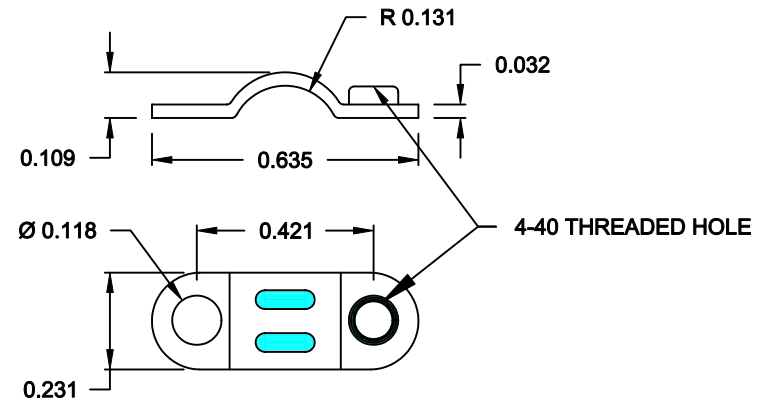
**STRAIN RELIEF SCREWS
2-TOTAL**



**SADDLE WASHER
2-TOTAL**



**HOUSING NUT
2-TOTAL**



**STRAIN RELIEF CLAMP
2-TOTAL**

DO NOT SCALE FROM DRAWING



THESE DRAWINGS AND SPECIFICATIONS ARE THE PROPERTY OF NorComp AND SHALL NOT BE REPRODUCED, COPIED OR USED AS THE BASIS FOR THE MANUFACTURE OF SALE OF APPARATUS WITHOUT WRITTEN PERMISSION.

DRAWN:
PAM JENKINS

DATE:
10-04-05

CHECKED:
X

DATE:
X

NorComp

SCALE: **2:1** SHEET **1** OF **1** REV **2**

DWG NO. **GPH09SRKIT**

RoHS COMPLIANT