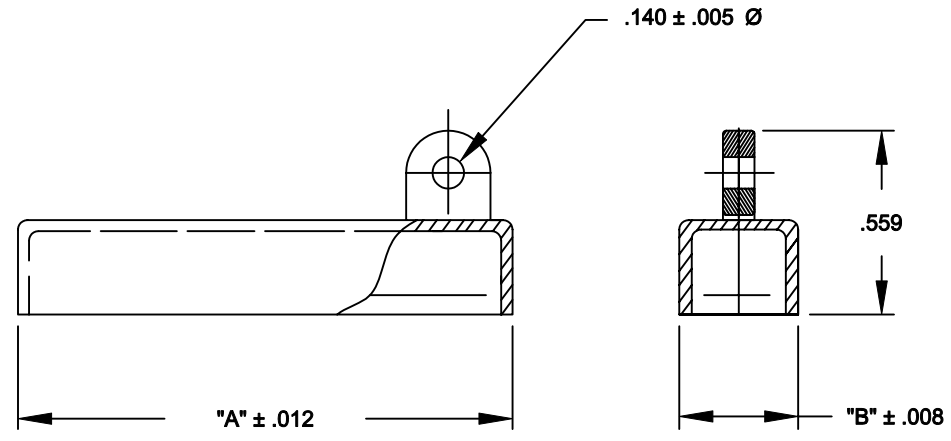


DESCRIPTION: FEMALE DUST CAPS W/O LANYARD



**MATERIAL CHART**


SHELL SIZE	"A"	"B"	PART NUMBER SEE MATERIAL CHART
09	0.701	0.378	160-000-209R01Y
15	1.031	0.378	160-000-215R01Y
25	1.571	0.378	160-000-225R01Y
37	2.213	0.378	160-000-237R01Y
50	2.114	0.480	160-000-250R01Y

160-000-2YY-01Y  
SHELL SIZE

- 1 = RED POLYETHYLENE (STANDARD)
- 2 = BLACK POLYETHYLENE (ANTI-STATIC)
- 3 = ABS, SELF-EXTINGUISHING UL 94V-O - (SHIELDED)  
METALLIZED, NICKEL PLATING OVER COPPER

ALL VARIATIONS OF DUST CAP MEET PROTECTION LEVEL IP 50 REQUIREMENTS (DIN 40050)

**RoHS COMPLIANT**

	THESE DRAWINGS AND SPECIFICATIONS ARE THE PROPERTY OF NorComp AND SHALL NOT BE REPRODUCED, COPIED OR USED AS THE BASIS FOR THE MANUFACTURE OR SALE OF APPARATUS WITHOUT WRITTEN PERMISSION.		DRAWN: <b>PAM JENKINS</b>	DATE: <b>7-22-04</b>
			CHECKED:	DATE:
<h1>NorComp</h1>		SCALE:	SHEET <b>1</b> OF <b>1</b>	REV <b>2</b>
		DWG NO. <b>160-000-2YYR01Y</b>		