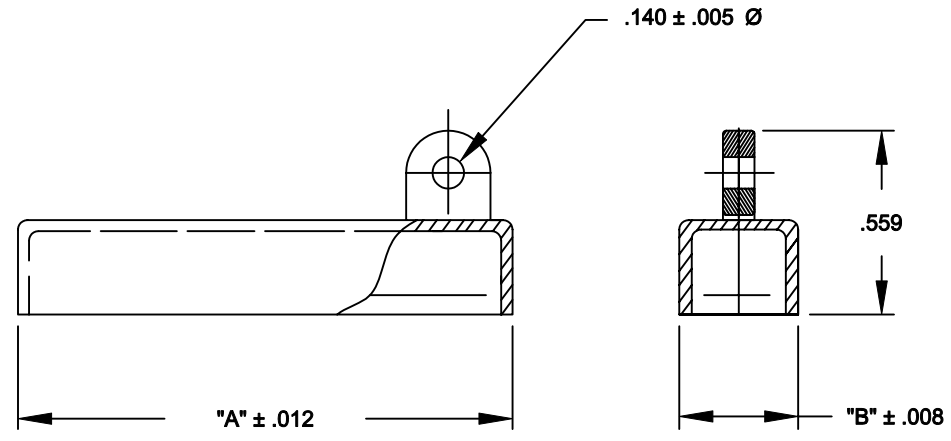


DESCRIPTION: MALE DUST CAPS W/O LANYARD



**MATERIAL CHART**


SHELL SIZE	"A"	"B"	PART NUMBER SEE MATERIAL CHART
09	0.772	0.437	160-000-109R01Y
15	1.094	0.437	160-000-115R01Y
25	1.646	0.437	160-000-125R01Y
37	2.260	0.437	160-000-137R01Y
50	2.177	0.543	160-000-150R01Y

160-000-1YY-01Y  
SHELL SIZE

- 1 = RED POLYETHYLENE (STANDARD)
- 2 = BLACK POLYETHYLENE (ANTI-STATIC)
- 3 = ABS, SELF-EXTINGUISHING UL 94V-O - (SHIELDED)  
METALLIZED, NICKEL PLATING OVER COPPER

ALL VARIATIONS OF DUST CAP MEET PROTECTION LEVEL IP 50 REQUIREMENTS (DIN 40050)

**RoHS COMPLIANT**

	THESE DRAWINGS AND SPECIFICATIONS ARE THE PROPERTY OF NorComp AND SHALL NOT BE REPRODUCED, COPIED OR USED AS THE BASIS FOR THE MANUFACTURE OR SALE OF APPARATUS WITHOUT WRITTEN PERMISSION.		DRAWN: <b>PAM JENKINS</b>	DATE: <b>7-22-04</b>
			CHECKED:	DATE:
<h1>NorComp</h1>		SCALE:	SHEET <b>1</b> OF <b>1</b>	REV <b>2</b>
		DWG NO. <b>160-000-1YYR01Y</b>		