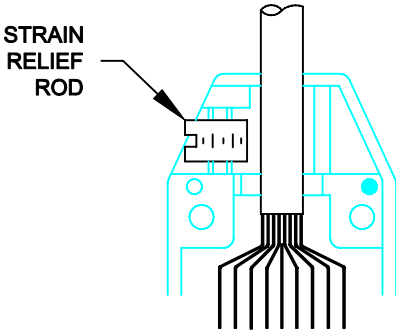
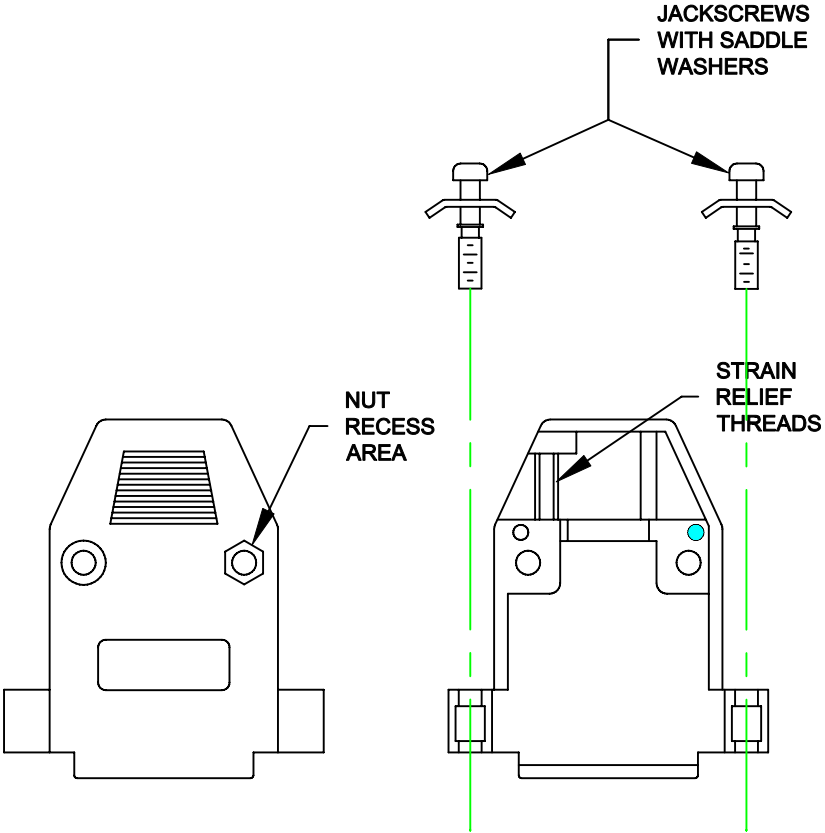
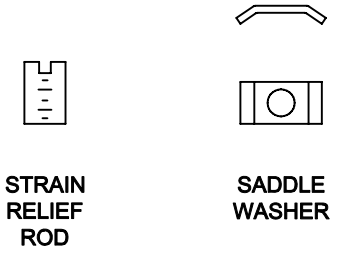


ASSEMBLY INSTRUCTIONS:

1. PREPARE CABLE ENDS, CONNECT TO CONNECTOR
2. INSERT CABLE INTO ONE HALF OF HOOD
3. INSERT THE JACKSCREWS IN THE SADDLE WASHERS. PLACE THE JACKSCREWS INTO THE HOOD WITH THE CABLE
4. PLACE THE OTHER HALF OF THE HOOD ON TOP OF THE FIRST HALF, MAKING SURE NO WIRES ARE PINCHED
5. HOLDING THE HOOD HALVES TOGETHER, INSERT THE MOUNTING SCREWS THROUGH THE HOODS IN OPPOSITE DIRECTIONS. TIGHTEN THE TWO HALVES TOGETHER
6. INSERT STRAIN RELIEF ROD INTO THREADED HOLE. TIGHTEN SNUG BUT NOT TIGHT ENOUGH TO CUT THE WIRE OR JACKET



ITEM No. 2



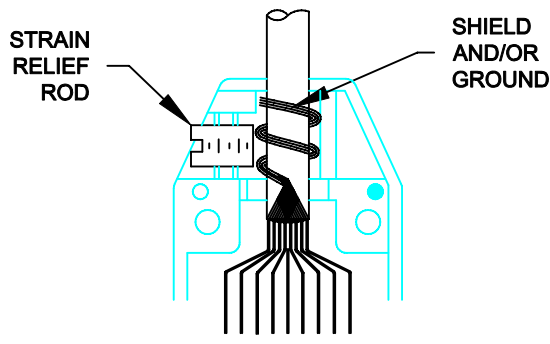
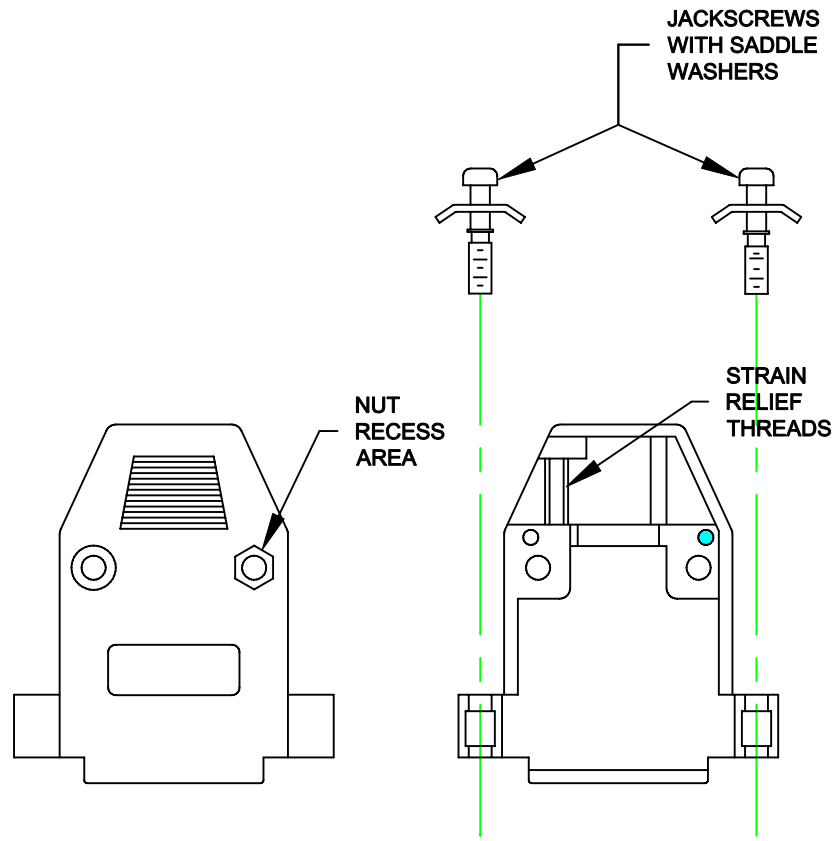
RoHS COMPLIANT

PLASTIC

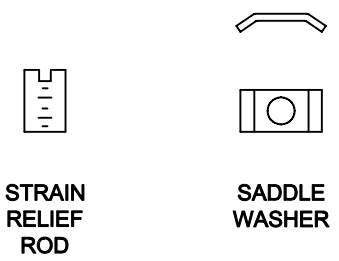
	THESE DRAWINGS AND SPECIFICATIONS ARE THE PROPERTY OF NorComp AND SHALL NOT BE REPRODUCED, COPIED OR USED AS THE BASIS FOR THE MANUFACTURE OF SALE OF APPARATUS WITHOUT WRITTEN PERMISSION.		DRAWN: C. SMITH	DATE: 03-30-06
			CHECKED: X	DATE: X
<h1>NorComp</h1>		SCALE: N.T.S.	SHEET 1 OF 2	REV 0
		DWG NO. BACKSHELL - 978 SERIES		

ASSEMBLY INSTRUCTIONS:

1. PREPARE CABLE ENDS, CONNECT TO CONNECTOR
2. IF CABLE IS SHIELDED, WRAP SHIELD AND/OR GROUND WIRE BACK OVER CABLE JACKET. CUT OFF ANY EXCESS WIRE. INSERT INTO ONE HALF OF HOOD
3. INSERT THE JACKSCREWS IN THE SADDLE WASHERS. PLACE THE JACKSCREWS INTO THE HOOD WITH THE CABLE
4. PLACE THE OTHER HALF OF THE HOOD ON TOP OF THE FIRST HALF, MAKING SURE NO WIRES ARE PINCHED
5. HOLDING THE HOOD HALVES TOGETHER, INSERT THE MOUNTING SCREWS THROUGH THE HOODS IN OPPOSITE DIRECTIONS. TIGHTEN THE TWO HALVES TOGETHER
6. INSERT STRAIN RELIEF ROD INTO THREADED HOLE. TIGHTEN SNUG BUT NOT TIGHT ENOUGH TO CUT THE WIRE OR JACKET



ITEM No. 2



RoHS COMPLIANT

METALIZED PLASTIC

	THESE DRAWINGS AND SPECIFICATIONS ARE THE PROPERTY OF NorComp AND SHALL NOT BE REPRODUCED, COPIED OR USED AS THE BASIS FOR THE MANUFACTURE OF SALE OF APPARATUS WITHOUT WRITTEN PERMISSION.		DRAWN: C. SMITH	DATE: 03-30-06
			CHECKED: X	DATE: X
NorComp		SCALE: N.T.S.	SHEET 2	OF 2
		DWG NO. BACKSHELL - 978 SERIES		