

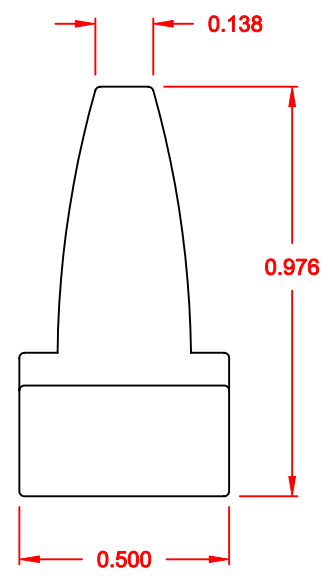
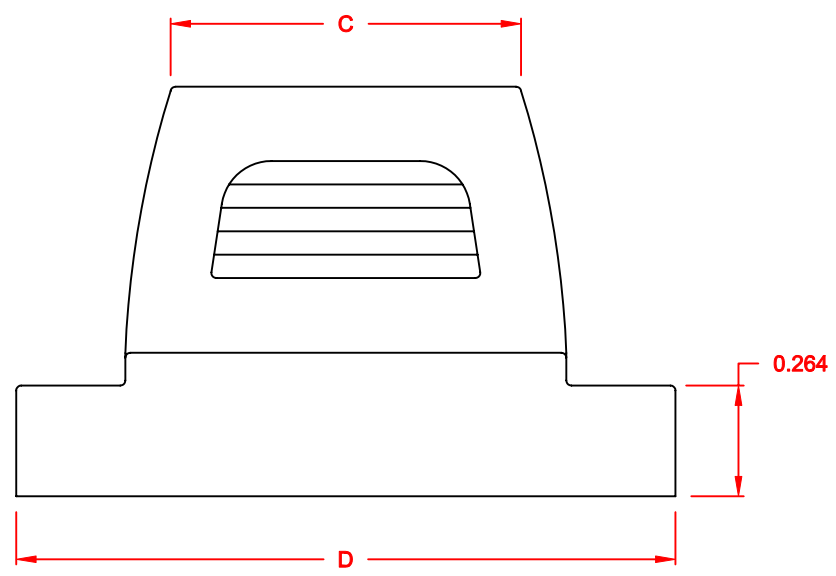
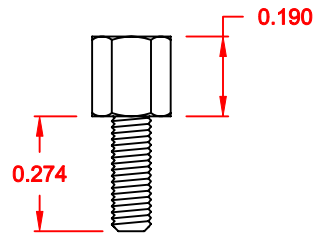
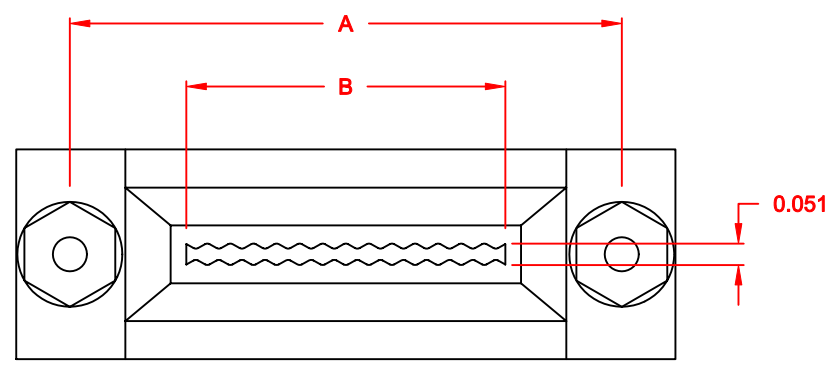
DESCRIPTION: FLAT CABLE BACK SHELL

No. OF CKTS.	DIMENSIONS (IN.)			
	A	B	C	D
09	0.984	0.492	0.531	1.276
15	1.315	0.780	0.835	1.571
25	1.850	1.307	1.386	2.102

MATERIAL: ABS PLATIC, BLACK

KIT INCLUDES:

- (1) BACKSHELL (SLIP-ON)
- (2) 4-40 FEMALE SCREWLOCKS



958-YYY-010R011

SERIES \_\_\_\_\_  
 POSITIONS \_\_\_\_\_  
 009 \_\_\_\_\_  
 015 \_\_\_\_\_  
 025 \_\_\_\_\_  
 MATERIAL \_\_\_\_\_  
 010 = PLASTIC \_\_\_\_\_  
 RoHS COMPLIANT \_\_\_\_\_  
 R = HIGH TEMP. PROCESS \_\_\_\_\_  
 COLOR \_\_\_\_\_  
 01 = BLACK \_\_\_\_\_  
 PUT-UP \_\_\_\_\_  
 1 = KIT \_\_\_\_\_

FOR CLARITY  
 HIDDEN LINES  
 NOT SHOWN

DO NOT SCALE FROM DRAWING

RoHS COMPLIANT

	THESE DRAWINGS AND SPECIFICATIONS ARE THE PROPERTY OF NorComp AND SHALL NOT BE REPRODUCED, COPIED OR USED AS THE BASIS FOR THE MANUFACTURE OF SALE OF APPARATUS WITHOUT WRITTEN PERMISSION.		DRAWN: <b>C. SMITH</b>	DATE: <b>02-19-08</b>
			CHECKED:	DATE:
<h1>NorComp</h1>		SCALE: <b>2 : 1</b>	SHEET <b>1</b> OF <b>1</b>	REV <b>0</b>
		DWG NO. <b>958-YYY-010R011</b>		