

DESCRIPTION: INTERNAL DIMENSIONS - DIE CAST

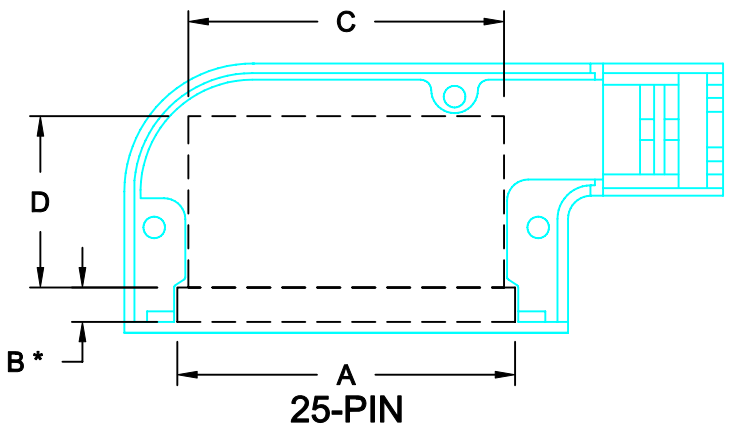
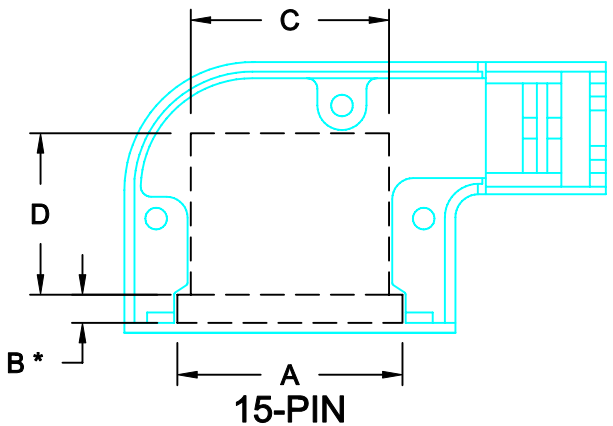
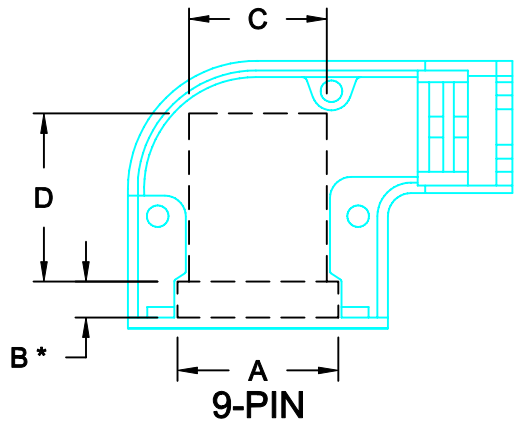
DIMENSIONS (IN.)

	9	15	25
A	0.767	1.073	1.610
B*	0.171	0.135	0.164
C	0.657	0.945	1.504
D	0.801	0.770	0.816
PCB	0.454	0.449	0.451

SEE NOTE 1. →

SEE NOTE 2. →

- NOTE:**
- "B" DIMENSION MEASURED FROM BACK SIDE OF CONNECTOR FLANGE
 - MIN. SAFE SPACING BETWEEN BACK SHELLS FOR PCB AND MOUNTED COMPONENTS
 - THESE DIMENSIONS ARE GOOD FOR THE NICKEL PLATED DIE CAST BACK SHELLS



DIE CAST



THESE DRAWINGS AND SPECIFICATIONS ARE THE PROPERTY OF NorComp AND SHALL NOT BE REPRODUCED, COPIED OR USED AS THE BASIS FOR THE MANUFACTURE OF SALE OF APPARATUS WITHOUT WRITTEN PERMISSION.

DRAWN:
C. SMITH

DATE:
07-20-06

CHECKED:
X

DATE:
X

SCALE:
N.T.S.

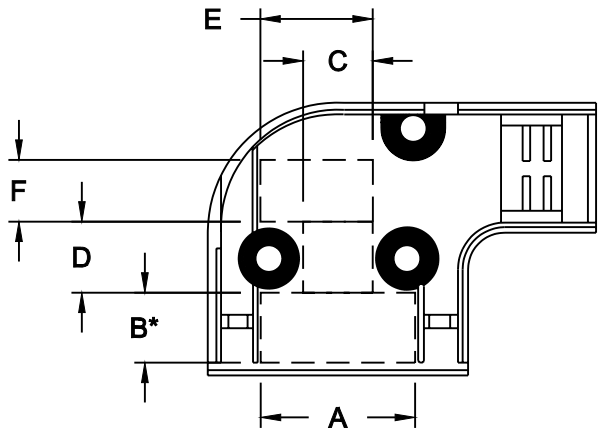
SHEET **1** OF **2**

REV **0**

NorComp

DWG NO. **ID - 981 SERIES**

RoHS COMPLIANT



E	0.536	0.396	0.929
F	0.295	0.292	0.305
G		0.858	1.403
H		0.494	0.494

