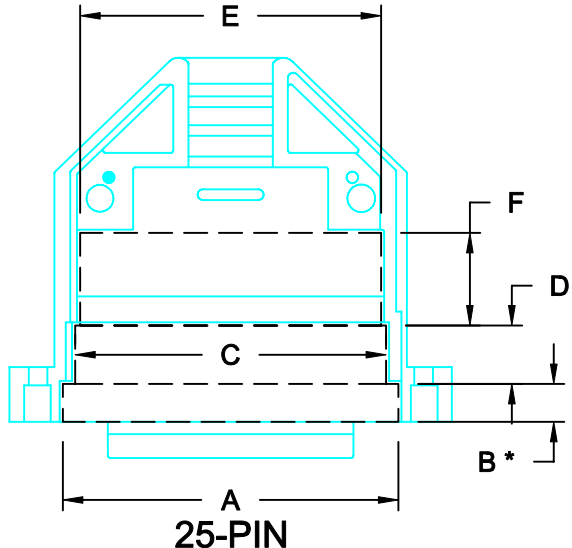
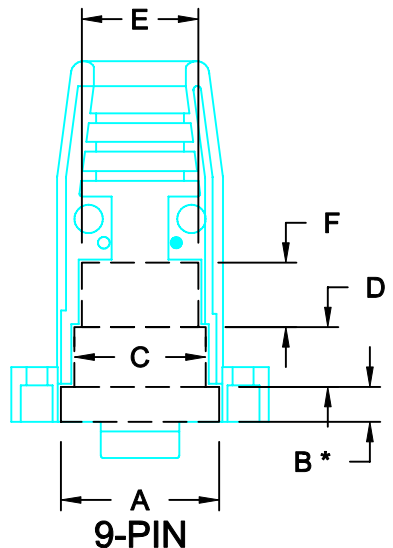


DESCRIPTION: INTERNAL DIMENSIONS - PLASTIC & METALIZED PLASTIC

DIMENSIONS (IN.)

	9	15	25	37	50
A	0.754	1.089	1.599	2.288	2.170
B*	0.167	0.181	0.181	0.176	0.157
C	0.626	0.954	1.481	2.138	2.033
D	0.285	0.274	0.279	0.278	0.289
E	0.555	0.884	1.434	2.104	2.003
F	0.308	0.329	0.442	0.444	0.446
PCB	X	0.416	0.411	0.396	0.488



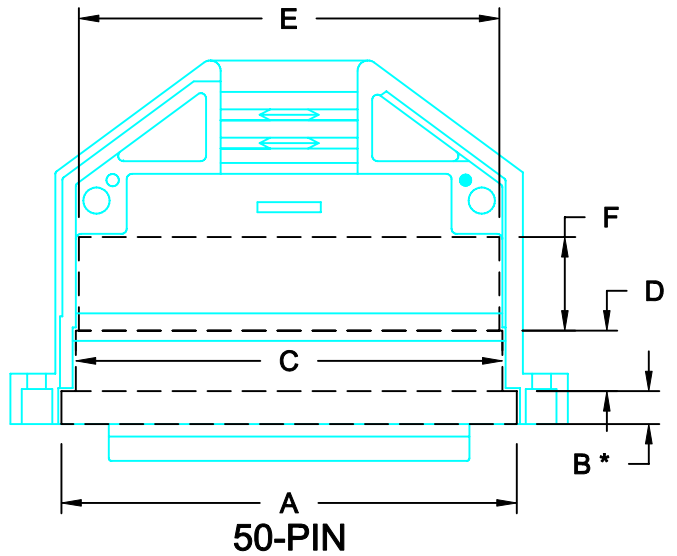
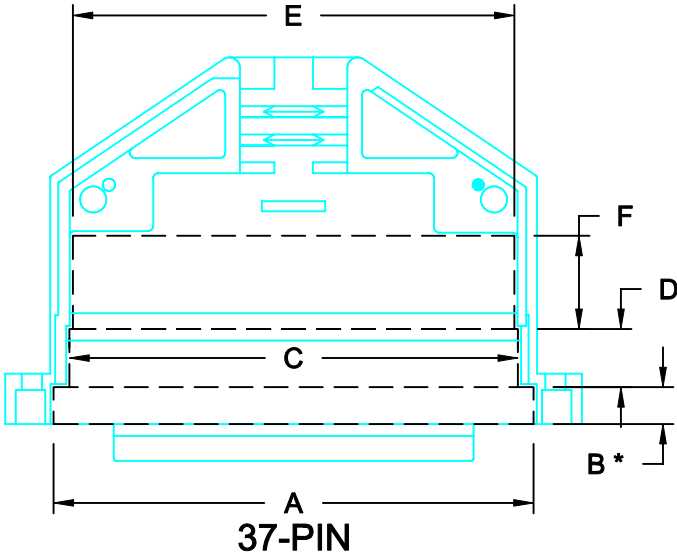
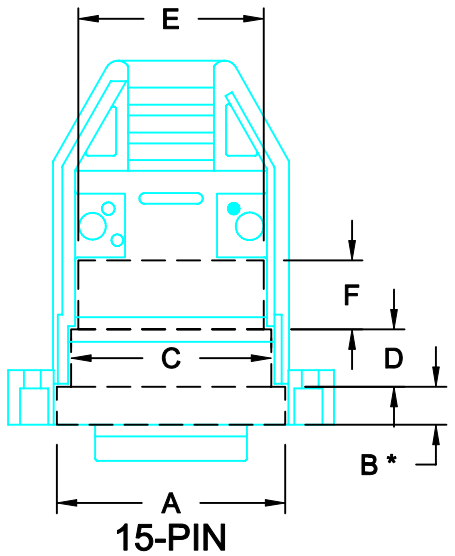
SEE NOTE 1. →

SEE NOTE 2. →

NOTE:

- "B" DIMENSION MEASURED FROM BACK SIDE OF CONNECTOR FLANGE
- MIN. SAFE SPACING BETWEEN BACK SHELLS FOR PCB AND MOUNTED COMPONENTS
- THESE DIMENSIONS ARE GOOD FOR THE PLASTIC AND METALIZED PLASTIC BACK SHELLS

PLASTIC & METALIZED PLASTIC



THESE DRAWINGS AND SPECIFICATIONS ARE THE PROPERTY OF NorComp AND SHALL NOT BE REPRODUCED, COPIED OR USED AS THE BASIS FOR THE MANUFACTURE OF SALE OF APPARATUS WITHOUT WRITTEN PERMISSION.

DRAWN: C. SMITH

DATE: 07-11-06

CHECKED: X

DATE: X

SCALE: N.T.S.

SHEET 1 OF 2

REV 0

NorComp

DWG NO. ID - 979 SERIES

RoHS COMPLIANT

